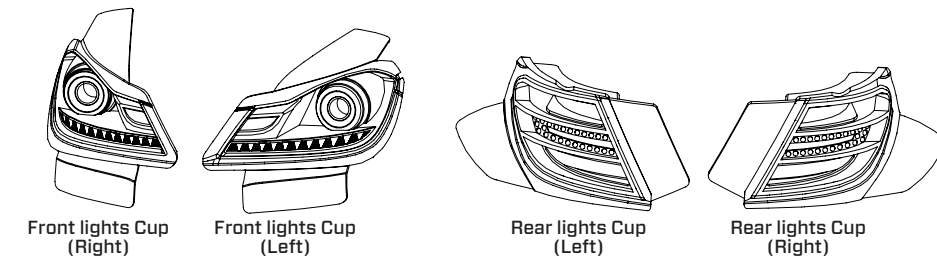
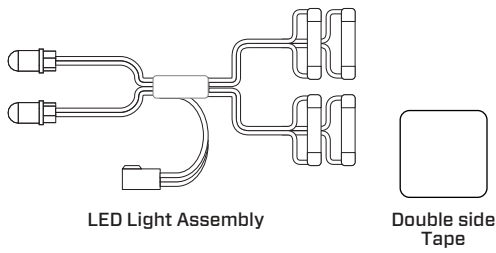


Mercedes-AMG C-Coupe DTM LED INSTALLATION INSTRUCTION

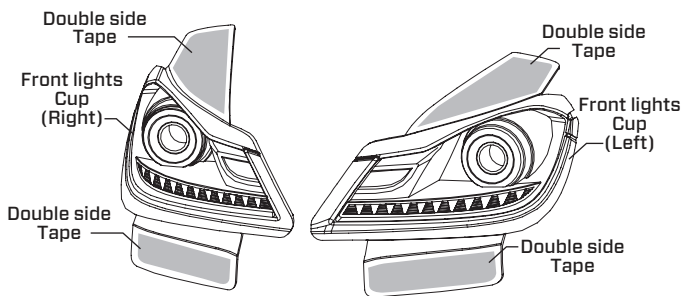


TOOLS RECOMMENDED (NOT INCLUDED)

	Curved Scissor
	Craft Knife
	Tape

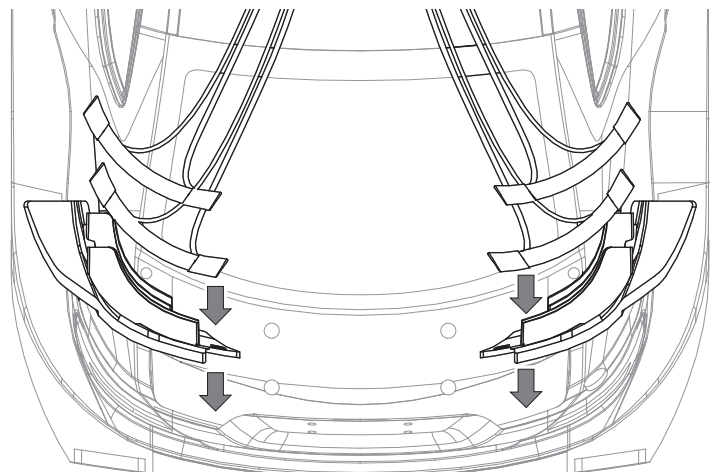
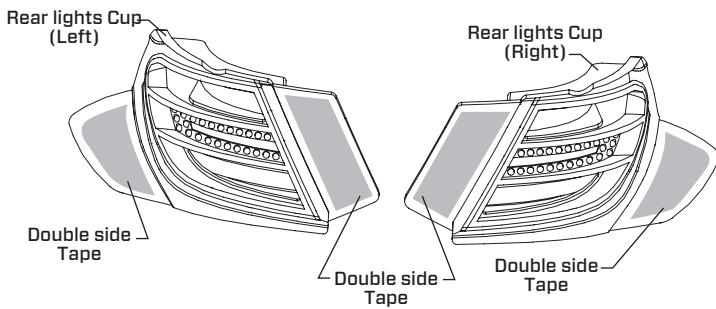
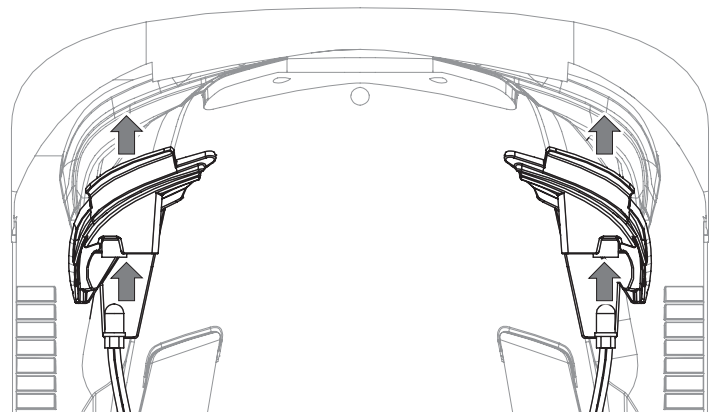
STEP 1

Use a piece of double side tape stick on the light cups



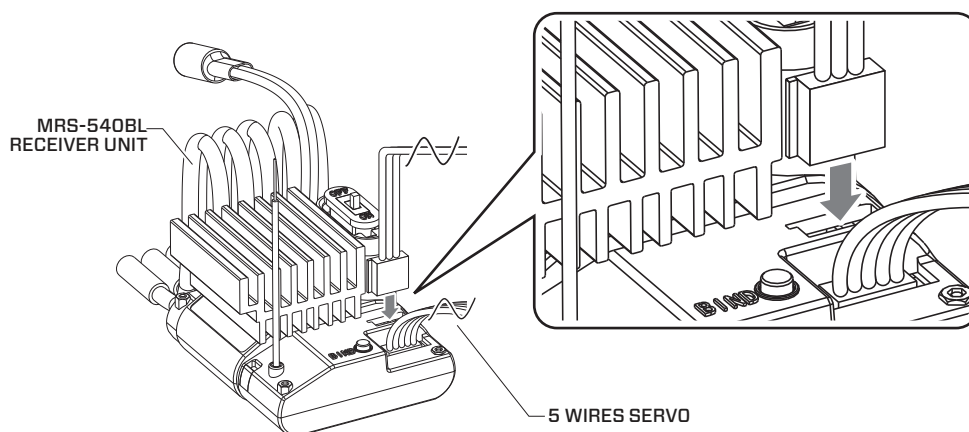
STEP 2

Mount the light cups on the car body and install the LED light assembly



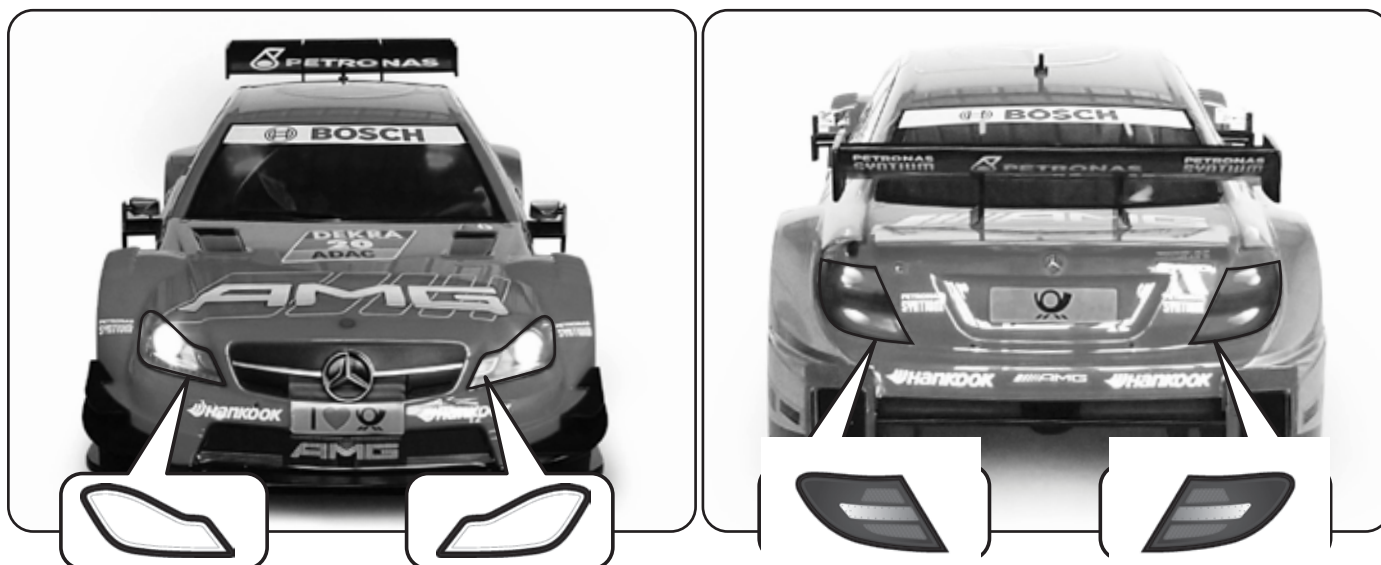
STEP 3

Locate the Auxiliary Port(3 Pin) and connect the LED light to the Receiver Unit(MRS-540BL)



STEP 4

Finally, tear off the Front and Rear light sticker and paste the light cup sticker on the car body.



Visit Us on www.carisma.com.hk
Also available at www.carisma-shop.com

©2015 Carisma. All Rights Reserved. Product specifications are subject to change.
Some models shown are prototypes which may vary slightly from what is inside.

Printed in China
MAN-G00606

