



***TWISTER***

## ***Building instructions***

Kit # 21 4222

**MULTIPLEX<sup>®</sup>**

## **Safety notes**

Before every flight check that the motor and propeller are in place and secure - especially after transporting the model, and after hard landings and crashes. Check also that the wing is correctly located and firmly secured on the fuselage before each flight.

Don't plug in the battery until you have switched on the transmitter, and you are sure that the motor control on the transmitter is set to "OFF".

When the model is switched on, ready to fly, take care not to touch the propeller. Keep well clear of the propeller disc too, and ask spectators to stay back.

Allow the motor to cool down after each flight. You can check this by carefully touching the motor case with your finger. The temperature is correct when you can hold your finger on the case without any problem. On hot days this may take up to 15 minutes.

Please keep in mind at all times: don't fly towards people or animals.

**This model only was possible with the contribution of**

Won Ho Kang, idea  
Klaus Michler, design, manual  
Markus Weinsch, construction  
Bernhard Dollrieß, data  
Thomas Keck, test models  
Roland Hock, artwork  
an the Himax team, Impeller

**Thanks to all for this beautiful model.**

## Examine your kit carefully!

MULTIPLEX model kits are subject to constant quality checks throughout the production process, and we sincerely hope that you are completely satisfied with the contents of your kit. However, we would ask you to check all the parts (referring to the Parts List) **before** you start construction, as **we cannot exchange components which you have already worked on**. If you find any part is not acceptable for any reason, please take the kit back to your model shop in the first instance, as he will be able to advise you. After checking, he will send the component or the kit to our Quality Control department. We can only process guarantee claims if the purchase receipt and a brief description of the fault are supplied.

We are constantly working on improving our models, and for this reason we must reserve the right to change the kit contents in terms of shape or dimensions of parts, technology, materials and fittings, without prior notification. Please understand that we cannot entertain claims against us if the kit contents do not agree in every respect with the instructions and the illustrations.

## Caution!

**Radio-controlled models, and especially model aircraft, are by no means playthings. Building and operating them safely requires a certain level of technical competence and manual skill, together with discipline and a responsible attitude at the flying field. Errors and carelessness in building and flying the model can result in serious personal injury and damage to property. Since we, as manufacturers, have no control over the construction, maintenance and operation of our products, we are obliged to take this opportunity to point out these hazards and to emphasise your personal responsibility.**

## Additional items required:

|  |   |  |
|--|---|--|
| e.g. MULTIPLEX <i>Micro IPD</i> receiver       | 35 MHz, A-band  | Order No. <b>5 5971</b>                            |
| alternatively                                  | 40 MHz  | Order No. <b>5 5972</b>                            |
| or MULTIPLEX <i>RX-7 SYNTH DS IPD</i> receiver | 35 MHz, A-band  | Order No. <b>5 5885</b>                            |
| MULTIPLEX <i>Nano-S</i> servo                  | 2 x <i>required for ailerons</i><br>1 x <i>required for elevator</i>  | Order No. <b>6 5120</b>                            |
| Servo extension lead                           | 3 x 30 cm <i>required for aileron servos and speed controller</i><br>1 x 60 cm <i>required for elevator servo</i> | Order No. <b>8 5031</b><br>Order No. <b>8 5032</b> |

## Flight battery (minimum load capacity approx. 36 A):

|   |                          |
|---|--------------------------|
| MULTIPLEX flight pack, e.g. LiBatt 3/1-2500 mAh (load capacity approx. 45 A)    | Order No. <b>15 7191</b> |
| or MULTIPLEX flight pack, e.g. LiBatt 3/1-3200 mAh (load capacity approx. 64 A) | Order No. <b>15 7136</b> |

## Adhesive: cyano-acrylate

Use medium and high-viscosity cyano-acrylate glue ("cyano" - not styrofoam cyano) for this model. Epoxy adhesives produce what initially appears to be a sound joint, but the bond is only superficial, and the hard resin breaks away from the parts under load. Hot-melt glue (from a glue gun) is an excellent alternative adhesive, especially for servo mounting.

## Tools:

Scissors, balsa knife, combination pliers, long pointed-nose pliers, slot-head / cross-point screwdrivers (for the servo output arm screws).

## Specification:

|                         |                                 |
|-------------------------|---------------------------------|
| Wingspan                | 850 mm                          |
| Overall fuselage length | 1170 mm                         |
| All-up weight, min.     | 750 - 880 g                     |
| Wing area               | 26 dm <sup>2</sup>              |
| Wing loading (FAI) min. | 29 g / dm <sup>2</sup>          |
| RC functions            | Elevator, ailerons and throttle |

### Important note

This model is not made of styrofoam™, and it is not possible to glue the material using white glue or epoxy. Please be sure to use cyano-acrylate glue exclusively, preferably in conjunction with cyano activator ("kicker"). We recommend medium or high-viscosity (thick) cyano. This is the procedure with Elapor®: spray cyano activator on one face of the joint; allow it to air-dry for around two minutes until the surface appears to be "dry", then apply cyano adhesive to the other face. Join the parts, and immediately position them accurately.

**Please take care when handling cyano-acrylate adhesives. These materials harden in seconds, so don't get them on your fingers or other parts of the body.**

**We strongly recommend the use of goggles to protect your eyes.**

**Keep the adhesive out of the reach of children!**

## 1. Before assembling the model:

Please check the contents of your kit before you start construction. You will find **Figs. 01 + 02** and the Parts List helpful here.

## 2. Right / left fuselage shells

The moulding process leaves bridging lugs at the front of the fuselage shells **4 + 5**, which should now be removed using a sharp balsa knife.

### Fig. 03

Examine the air intakes, and remove any rough edges from the lips using a very sharp knife. If this leaves areas of a different colour, touch them in with a soft pencil.

## Right-hand fuselage shell

### 3. Gluing the nose section to the fuselage shell

Trial-fit the fuselage nose **8** and the right-hand fuselage shell **5**, then glue the parts together using cyano. Take care to line the parts up accurately.

### Fig. 04

### 4. Installing the fuselage stiffener

Glue the GRP rod **41** in the fuselage shell using cyano. Glue the rod over its full length, but don't apply so much cyano that it is forced out of the joint.

### Fig. 05

5. Glue the canopy latch catch **22** in the fuselage nose section **8**.

### Fig. 06

### 6. Installing the elevator servo

The elevator servo can be glued in its recess using two drops of cyano or hot-melt glue. Be sparing with the adhesive, otherwise it may be difficult to remove the servo again if it should require repair at any time. Too much adhesive can also penetrate the servo case, with the danger of jamming the gearbox.

Deploy the servo lead in the channel provided. If you are using an extension lead with a plug-in connection, cut a small recess in the fuselage for the connectors. If you have soldering facilities, it is always preferable to solder the connections.

Secure the loose cable with adhesive tape so that it does not get in the way during the following procedures.

### Fig. 07

### 7. Trim ballast

If you use the recommended components, you will need to glue the two ballast weights **34** in the space provided at the tail end of the fuselage. If lighter batteries become available in the future, you may be able to take the weights out again; you can remove one ball for each 20 g saved at the battery compartment position.

### Fig. 08

### 8. Aileron servo lead

Glue the extension lead to the inside of the fuselage, with the socket flush with the outside surface, so that the aileron servo lead can be plugged in later when the wings are fitted.

### Fig. 09

## Left-hand fuselage shell

### 9. Gluing the nose section to the fuselage shell

Trial-fit the fuselage nose **7** and the right-hand fuselage shell **4**, then glue the parts together using cyano. Take care to line the parts up accurately.

### Fig. 10

### 10. Installing the fuselage stiffener

Glue the GRP rod **41** in the fuselage shell using cyano. Glue the rod over its full length, but don't apply so much cyano that it is forced out of the joint.

### Fig. 11

Glue the stiffener **41** to the inside of the fuselage in the same manner.

### Fig. 12

11. Glue the canopy latch catch **22** in the fuselage nose section **7**.

### Fig. 13

12. Glue the extension lead to the inside of the fuselage, with the socket flush with the outside surface, so that the aileron servo lead can be plugged in later when the wings are fitted.

### Fig. 14

### 13. Joining the fuselage shells

Start by trial-fitting the fuselage shells "dry" (no glue); they should fit together snugly, without requiring force and without being under tension. If there is a tight spot at any point, trim the parts where necessary before gluing the shells together using thick cyano. You will have a few minutes to get everything right, so work swiftly but not hurriedly. Join the fuselage shells, immediately line them up correctly, and hold the parts together until the glue starts to set. Do not resume work on the fuselage for a few minutes as the adhesive takes some time to cure properly.

### Fig. 15

### 14. Aileron horns (both ailerons)

The aileron horns **24** are prepared and installed as shown in the illustration: 1 x left + 1 x right. Tighten the nuts **27** only lightly, as the swivel pushrod connectors **25** must turn smoothly. Secure the nuts with a tiny drop of paint or glue.

**Caution: only apply the paint or glue to the outside of the nut and the stub of the thread.**

Glue the horns in the aileron recesses.

### Fig. 16

### 15. Installing the servos and pushrods (both ailerons)

Check from the transmitter that the aileron servos work correctly, and set them to centre. Fit the output levers on the servo shafts, ensuring that the arms project out of the wings (see illustration). Fit the servo arm retaining screws. Fix the servos in their recesses with a few drops of cyano or hot-melt glue. Connect the aileron pushrods **30** and adjust them.

### Fig. 17

### 16. Freeing the ailerons (both ailerons)

Carefully release the ailerons by cutting along the marked lines; the slots should be about 1 mm wide. You will need a very sharp knife to cut the foam cleanly.

### Fig. 18

### 17. Gluing the wing panels 10 + 11 to the fuselage, connecting the aileron servos

First connect the aileron servo leads (in the wings) to the extension leads which you have already installed in the fuselage. Leave the leads loose in the channels. Glue the wings to the fuselage, taking care not to glue the cables. Align the wings carefully before allowing the glue to cure.

### Fig. 19

### 18. Installing the wing spar

Slide the wing spar under the servo leads and through the fuselage, then glue it in place along its full length.

### Fig. 20

### 19. Servo leads and servo fairings

Deploy the servo leads in the channels in the wings, starting from the servo end. You may need to use the blunt side of a knife to push them into the slot. The excess length of the servo leads

can be stowed in the space below the wing root. Trim the servo fairings **33** to fit, and glue them in place at the corners using cyano.

#### Fig. 21

### 20. Freeing the elevator from the tailplane

Carefully release the elevator by cutting along the marked lines; the slots should be about 1 mm wide.

#### Fig. 22

### 21. Gluing the horn in the elevator

The elevator horn **24** is prepared and fitted as shown in the illustration. Tighten the nut **27** only lightly, as the swivel pushrod connector **25** must turn smoothly. Secure the nut with a tiny drop of paint or glue.

**Caution: only apply the paint or glue to the outside of the nut and the stub of the thread.** Glue the horn in the elevator recess.

#### Fig. 23

### 22. Installing the tailplane

Trial-fit the tailplane **12** "dry" (no glue), and position it accurately. Carry out any minor trimming required, then glue the tailplane in place using cyano, and check its position and alignment again. Hold or pin the panel in position until the glue has set hard. Connect the pushrod **31** and set it to the correct length using the swivel pushrod connector **25**.

#### Fig. 24

### 23. Fin

Trim the fin **13** to fit, and glue it in place. Check that it is exactly at right-angles to the tailplane before the glue sets.

#### Fig. 25

### 24. Canopy

Glue the latch tongues **23** in the canopy **9** over their full area, but take care to fit them projecting by the correct amount - not higher or lower.

#### Fig. 26

### 25. Installing the power unit

The ducted fan (impeller) unit is supplied in the kit ready to install, with a fully balanced rotor. Do not dismantle the assembly unless there is a real need to do so - after re-assembly the motor might be unbalanced, which would lead to a loss of performance.

#### Fig. 27

Connect the ducted fan **50** to the speed controller, and install the fan in the fan hatch **6**.

**Carry out a test-run, and reverse the motor's direction of rotation if necessary.**

Deploy all cables neatly.

The impeller and the hatch can now be introduced into the main duct; note that the cables run along the outside of the fuselage in the appropriate channel, which is then sealed with adhesive tape. Apply adhesive tape all round the ducted fan hatch to produce an air-tight seal.

#### Fig. 28

### 26. Receiving system and power system fittings

1. The ducted fan unit is already in place.
2. Mount the speed controller on the maintenance hatch forward of the impeller unit.
3. Fit the LiPo battery (2100, 2500 or 3200 mAh) in the battery compartment in the nose of the fuselage, adjust its position to obtain the correct Centre of Gravity, then secure it with Velcro tape.
4. The receiver and cables are also held in place with Velcro tape **20 + 21**, which is supplied in the kit.

### 27. Centre of Gravity

The CG should be borne in mind when you are installing the RC system components, to avoid the need for ballast as far as possible.

The CG should be within the range **100 to 110 mm** aft of the wing root leading edge, measured where the wings meet the fuselage. The moulded-in dimples on the underside of the wing indicate the correct balance point.

#### Fig. 30

### 28. Model settings (guideline only):

CG: 100 - 110 mm

Longitudinal dihedral: approx. +1° (non-variable)

### 29. Control surface travels:

Measured at the widest point of the control surfaces

|           |           |
|-----------|-----------|
| Ailerons: | 20 mm +/- |
| Elevator: | 30 mm +/- |

|                       |     |
|-----------------------|-----|
| Exponential: ailerons | 30% |
|-----------------------|-----|

### 30. Test-flying:

Centre of Gravity

Start by balancing the model within the stated range. Once you have test-flown the model, you can fine-tune the setting as follows: fly straight and level at half-throttle, and roll the model inverted. If you now have to apply a great deal of "down" to hold level flight, the model is nose-heavy; the CG must be shifted further aft. If the machine climbs whilst inverted, without requiring elevator correction, the CG is too far aft. When balanced correctly, the model will require slight down-elevator for level inverted flight.

### 31. Aileron differential

Fly three or four rolls to the right at half-throttle; if the Twister veers to the right during this manoeuvre, you need to increase the aileron differential. If it veers to the left, i.e. against the direction of rolling, you should reduce the aileron differential.

### 32. Gilding the lily - applying the decals

The kit is supplied with a multi-colour decal sheet, part **2 + 3**. Cut out the individual name placards and emblems and apply them to the model in the positions shown in the kit box illustration, or in another arrangement which you find pleasing. We suggest that you blacken the canopy and the jet nozzle with a waterproof felt-tip pen, e.g. EDDING 3000.

### 33. Safety

Safety is the First Commandment when flying any model aircraft. Third party insurance should be considered a basic essential. If you join a model club suitable cover will usually be available through the organisation. It is your personal responsibility to ensure that your insurance is adequate for the type of model (powered model aircraft).

Make it your job to keep your models and your radio control system in perfect order at all times. Check the correct charging procedure for the batteries used in your RC set. Make use of all sensible safety measures and precautions which are advised for your system. An excellent source of practical accessories is the MULTIPLEX main catalogue, as our products are designed and manufactured exclusively by practising modellers for other practising modellers.

Always fly with a responsible attitude. You may think that flying low over other people's heads is proof of your piloting skill; others know better. The real expert does not need to prove himself in such childish ways. Let other pilots know that this is what you think too. Always fly in such a way that you do not endanger yourself or others. Bear in mind that even the best RC system in

the world is subject to outside interference. No matter how many years of accident-free flying you have under your belt, you have no idea what will happen in the next minute.

We - the MULTIPLEX team - wish you many hours of pleasure in building and flying your new model. Happy landings!

MULTIPLEX Modellsport GmbH & Co. KG  
Model Development Dept.



Klaus Michler

# TWISTER



## Twister KIT

| Part No.                    | No. off | Description                                 | Material                     | Dimensions         |
|-----------------------------|---------|---|------------------------------|--------------------|
| 1                           | 1       | KIT building instructions                   | Paper, 80 g / m <sup>2</sup> | A4                 |
| 2                           | 1       | Decal sheet, sheet 1                        | Printed self-adhesive film   | 700 x 330 mm       |
| 3                           | 1       | Decal sheet, sheet 1, registration markings | Printed self-adhesive film   | 500 x 350 mm       |
| 4                           | 1       | L.H. fuselage shell                         | Moulded Elapor foam          | Ready made         |
| 5                           | 1       | R.H. fuselage shell                         | Moulded Elapor foam          | Ready made         |
| 6                           | 1       | Ducted fan hatch                            | Moulded Elapor foam          | Ready made         |
| 7                           | 1       | L.H. fuselage nose section                  | Moulded Elapor foam          | Ready made         |
| 8                           | 1       | R.H. fuselage nose section                  | Moulded Elapor foam          | Ready made         |
| 9                           | 1       | Canopy                                      | Moulded Elapor foam          | Ready made         |
| 10                          | 1       | L.H. wing                                   | Moulded Elapor foam          | Ready made         |
| 11                          | 1       | R.H. wing                                   | Moulded Elapor foam          | Ready made         |
| 12                          | 1       | Tailplane                                   | Moulded Elapor foam          | Ready made         |
| 13                          | 1       | Fin   | Moulded Elapor foam          | Ready made         |
| <b>Small parts set</b>      |         |   |                              |                    |
| 20                          | 3       | Velcro tape, hook                           | Plastic                      | 25 x 60 mm         |
| 21                          | 3       | Velcro tap, loop                            | Plastic                      | 25 x 60 mm         |
| 22                          | 2       | Latch catch                                 | Injection-moulded plastic    | Ready made         |
| 23                          | 2       | Latch tongue                                | Injection-moulded plastic    | Ready made         |
| 24                          | 4       | Glue-fitting control surface horn           | Injection-moulded plastic    | Ready made         |
| 25                          | 4       | Swivel pushrod connector                    | Metal                        | Ready made, 6 mm Ø |
| 26                          | 4       | Washer                                      | Metal                        | M2                 |
| 27                          | 4       | Nut   | Metal                        | M2                 |
| 28                          | 4       | Socket-head grub screw                      | Metal                        | M3 x 3 mm          |
| 29                          | 1       | Allen key                                   | Metal                        | 1.5 mm A/F         |
| 30                          | 2       | Aileron pushrod, one Z-bend                 | Metal                        | 1 Ø x 80 mm        |
| 31                          | 1       | Elevator pushrod, one Z-bend                | Metal                        | 1 Ø x 110 mm       |
| 32                          | 1       | L.H. servo fairing                          | Vacuum-moulded plastic       | Ready made         |
| 33                          | 1       | R.H. servo fairing                          | Vacuum-moulded plastic       | Ready made         |
| 34                          | 2       | Ballast weight                              | Steel ball, 9 g              | 13 mm Ø            |
| <b>Wire and tube set</b>    |         |   |                              |                    |
| 40                          | 1       | Tubular spar                                | GRP tube                     | 8 Ø x 700 mm       |
| 41                          | 3       | Fuselage stiffener                          | GRP rod                      | 1.3 Ø x 250 mm     |
| <b>Ducted fan power set</b> |         |   |                              |                    |
| 50                          | 1       | DF69 RTR ducted fan with Himax A 2825-3600  | Assembled and balanced       | Ready made         |

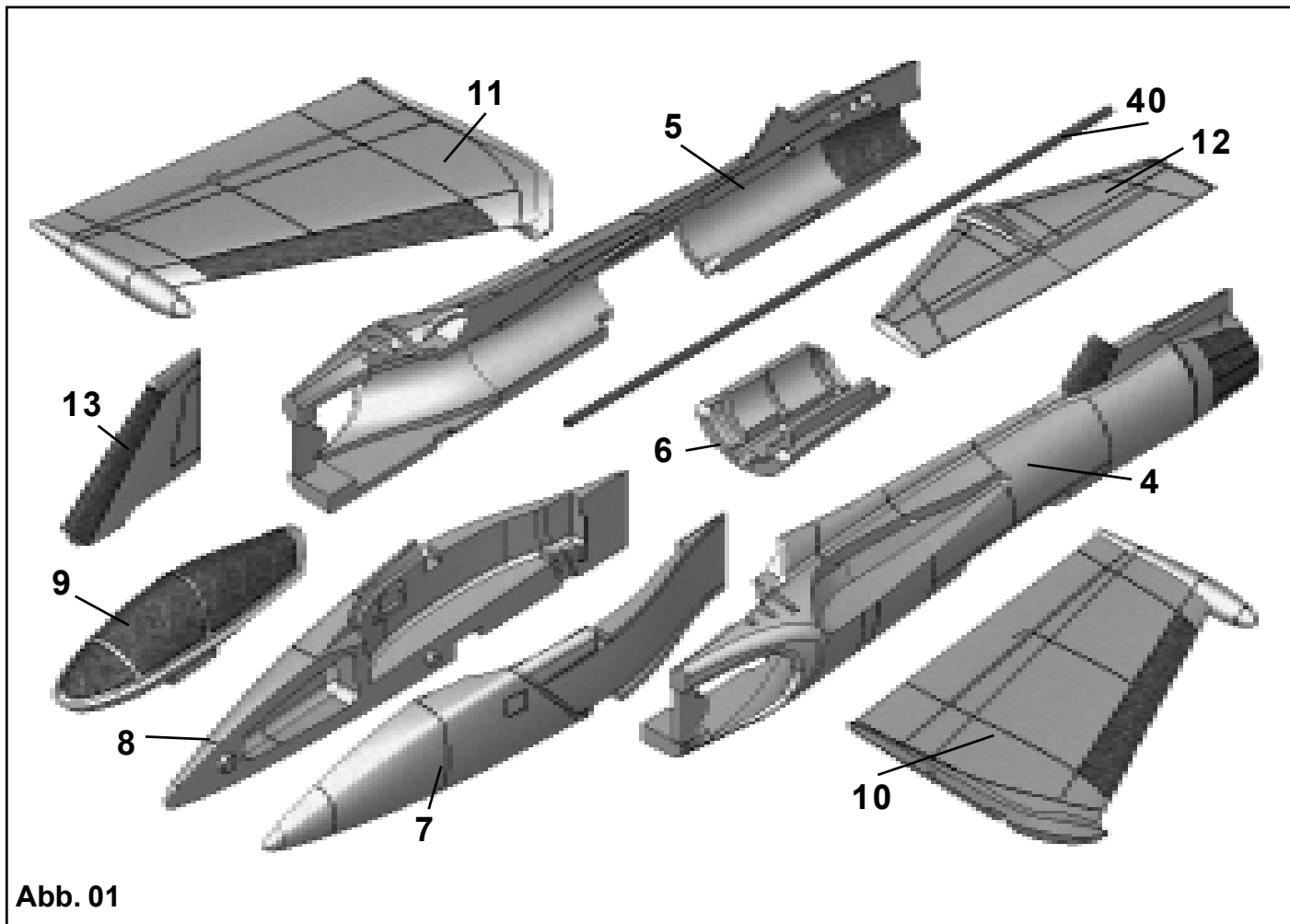


Abb. 01

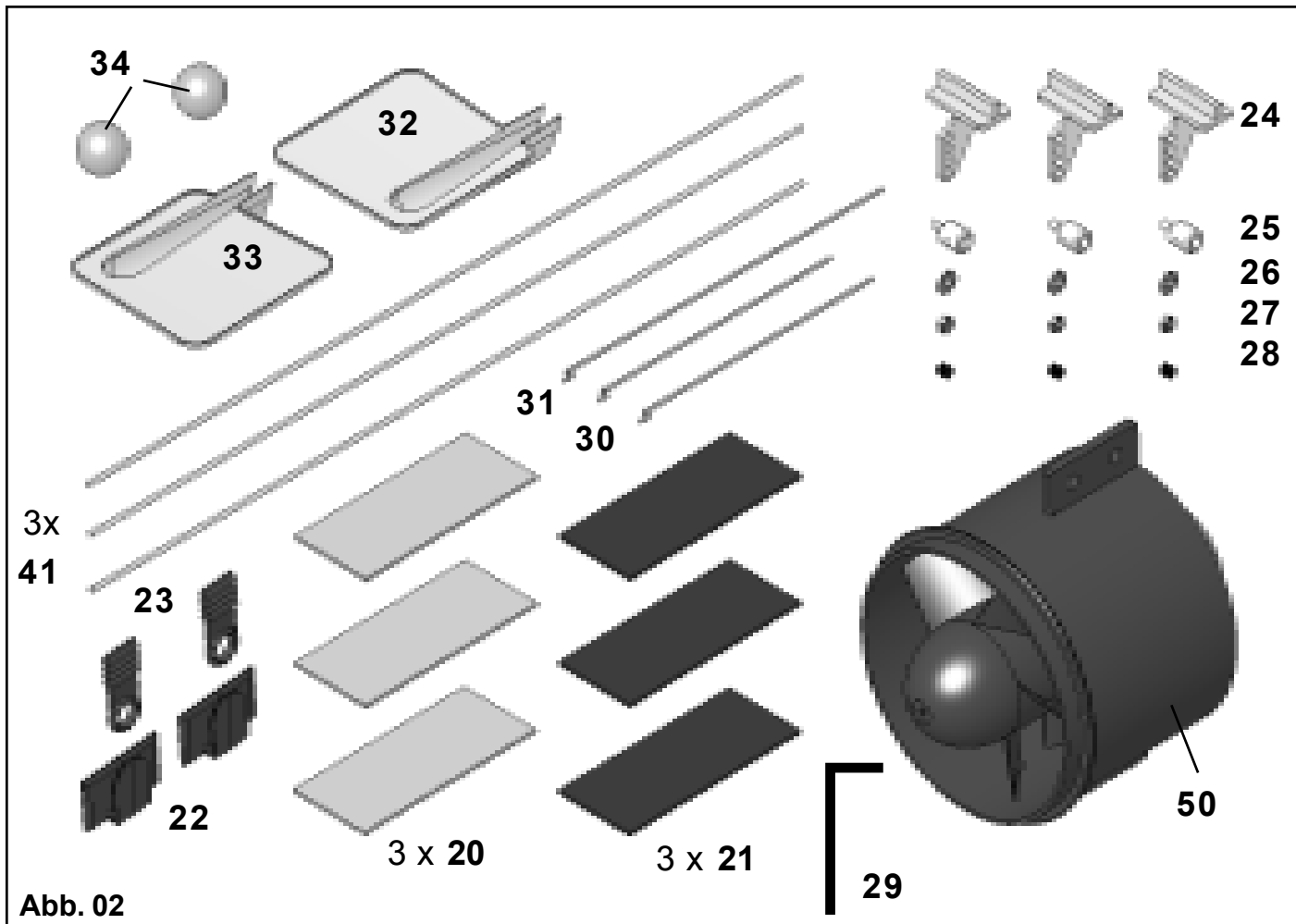
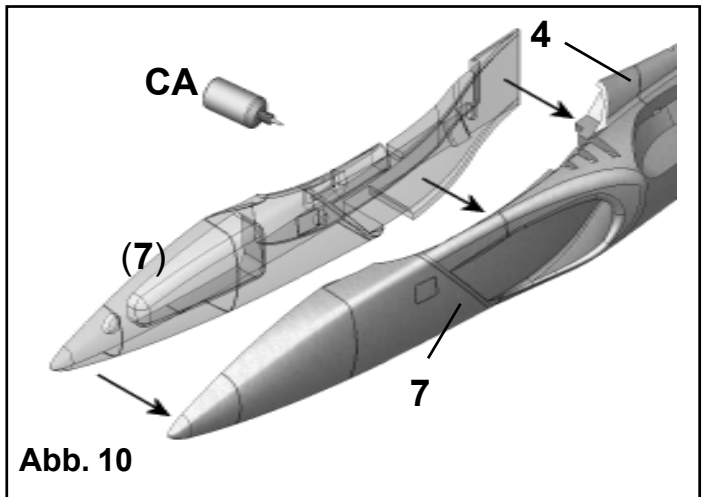
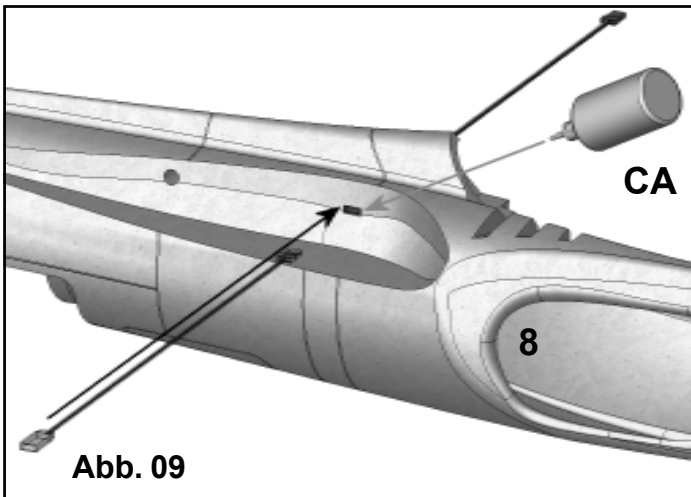
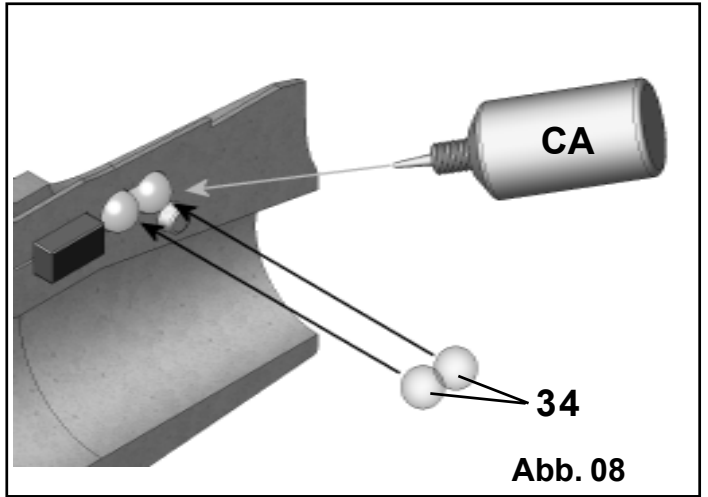
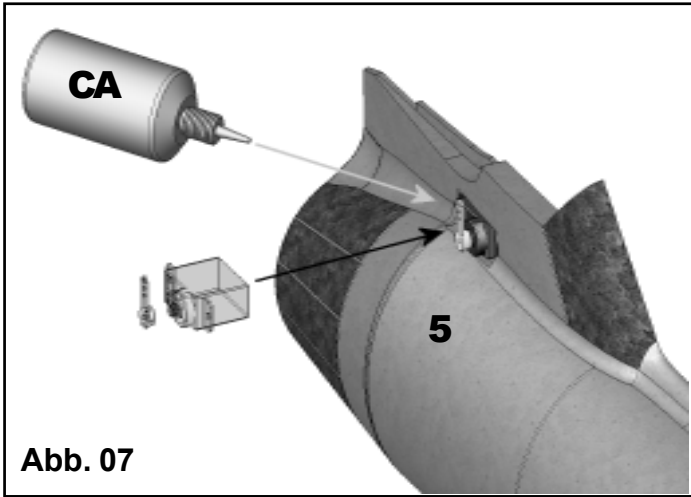
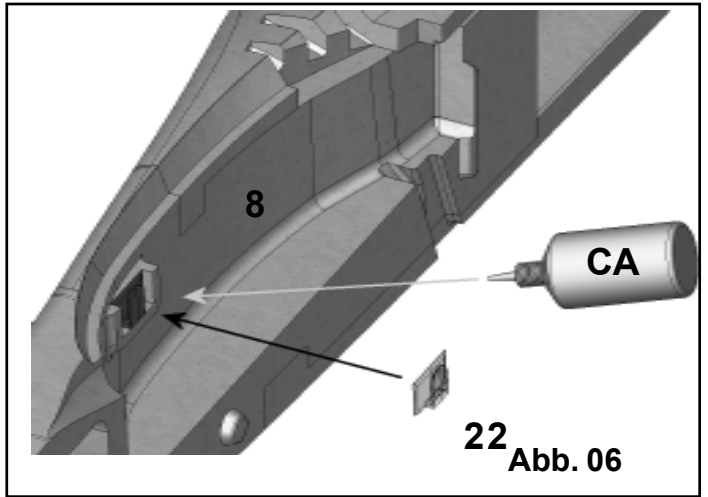
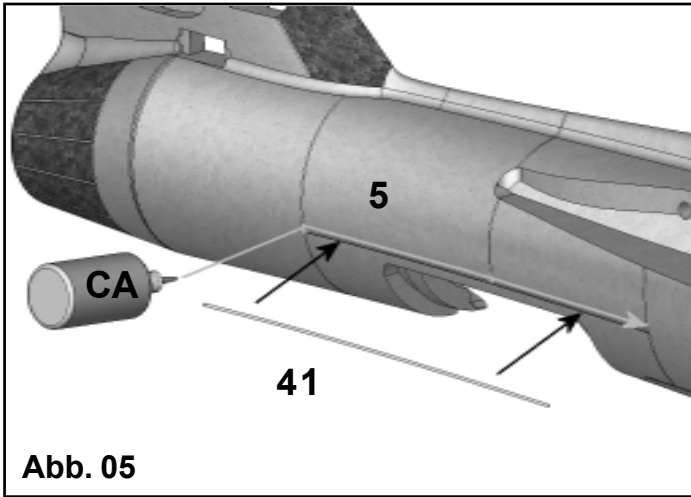
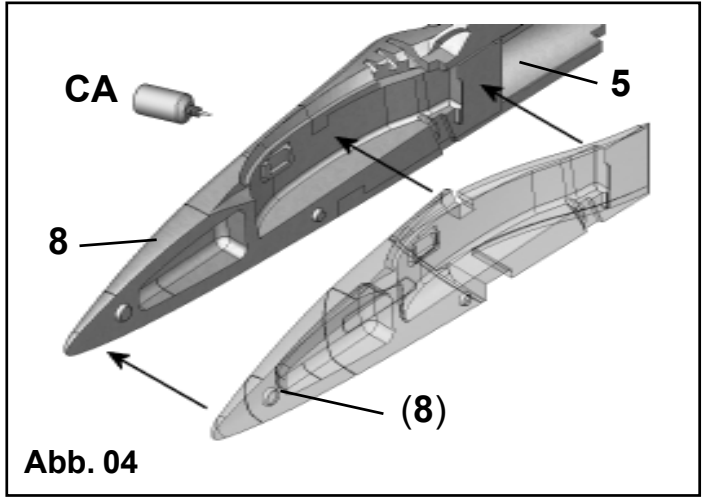
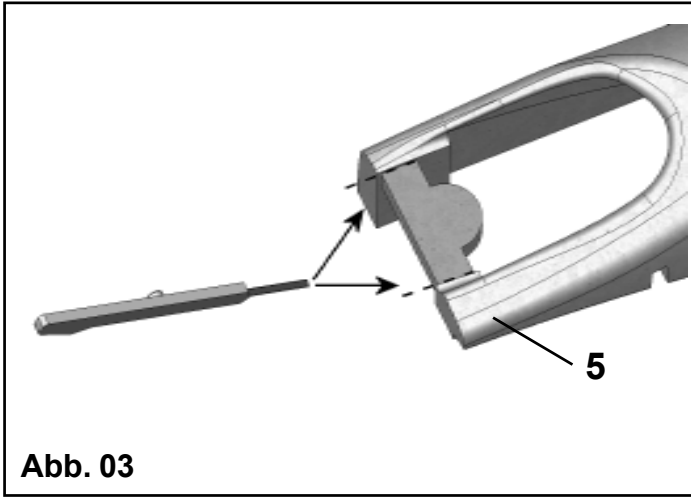


Abb. 02





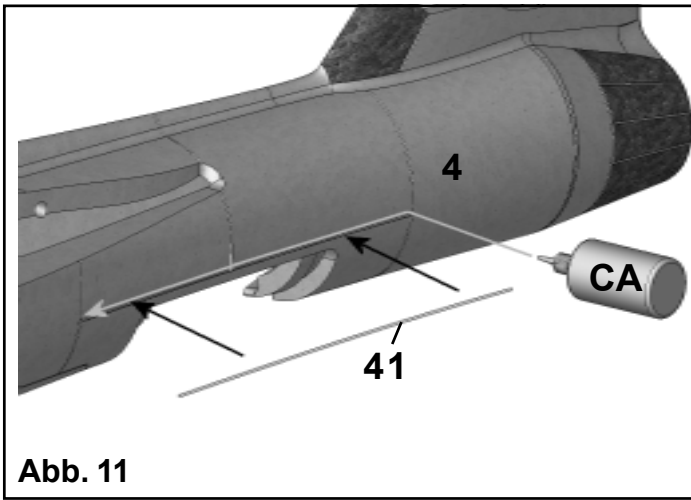


Abb. 11

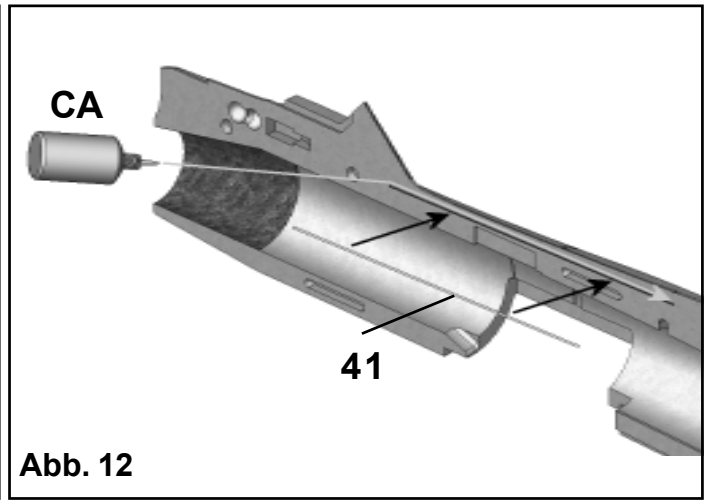


Abb. 12

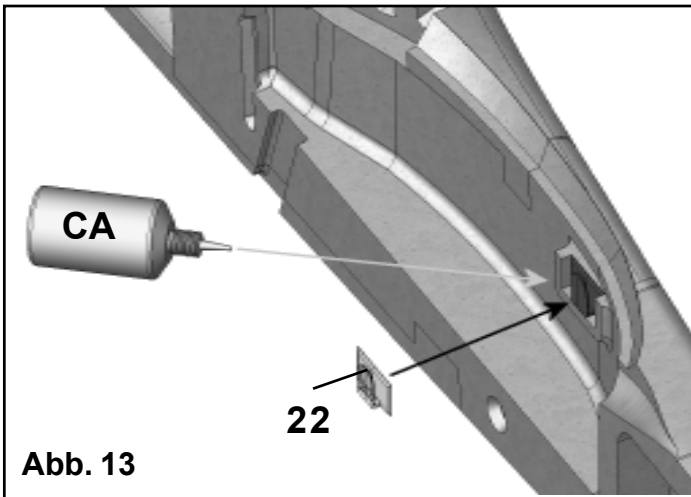


Abb. 13

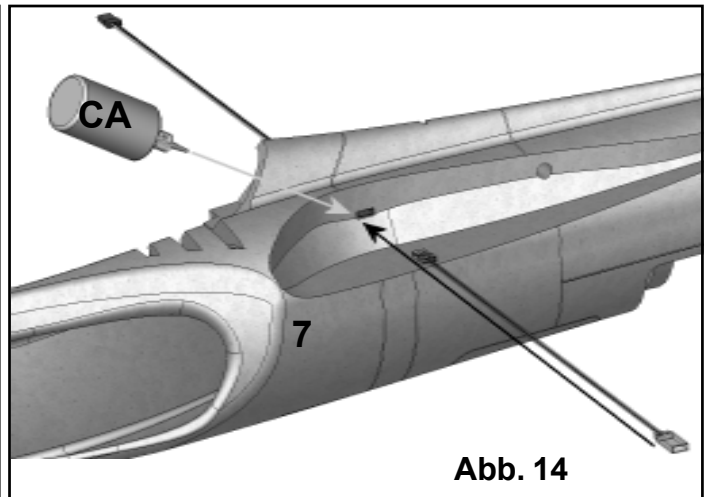


Abb. 14

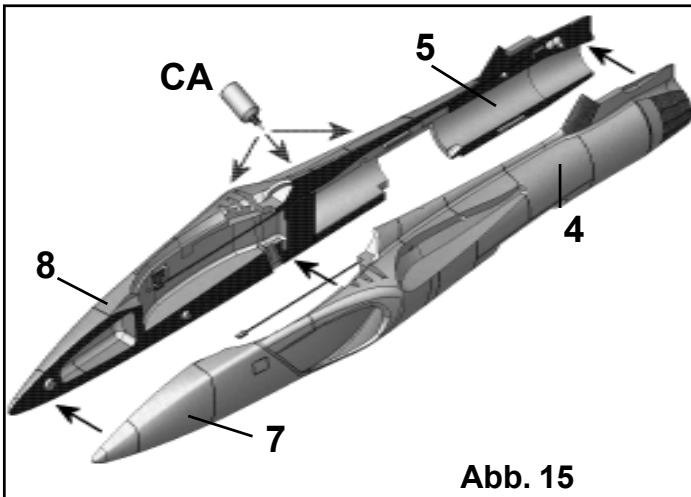


Abb. 15

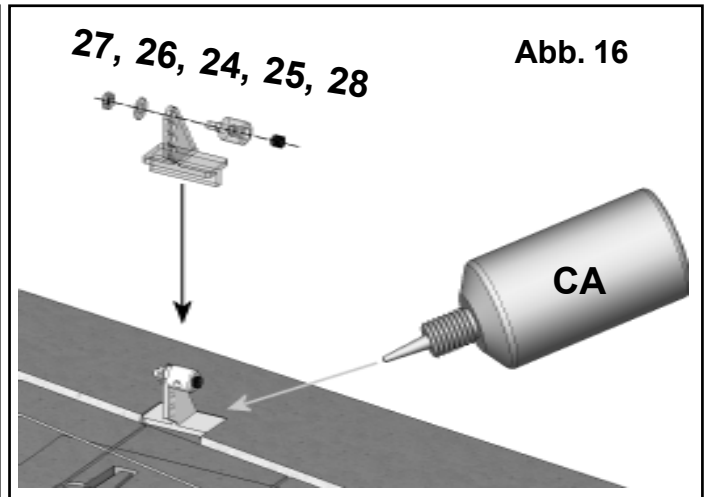


Abb. 16

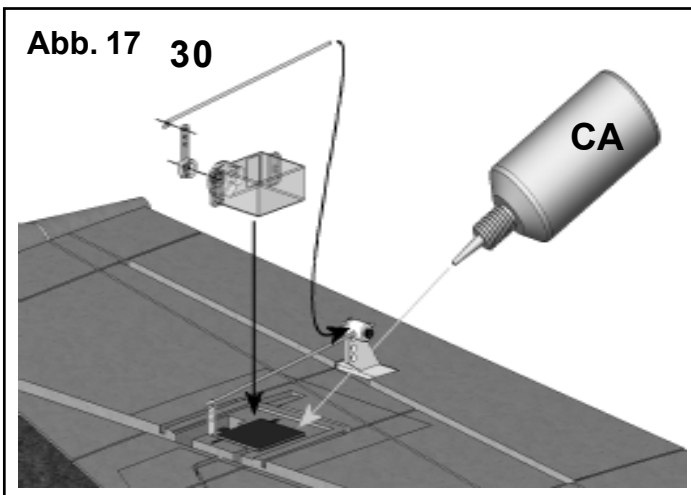


Abb. 17

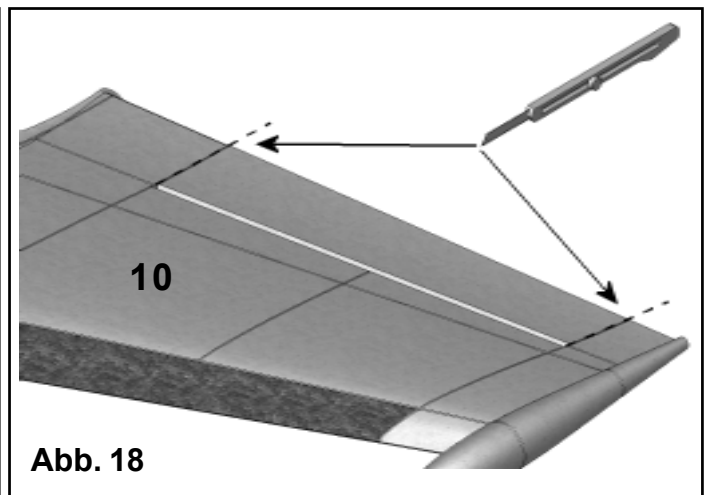
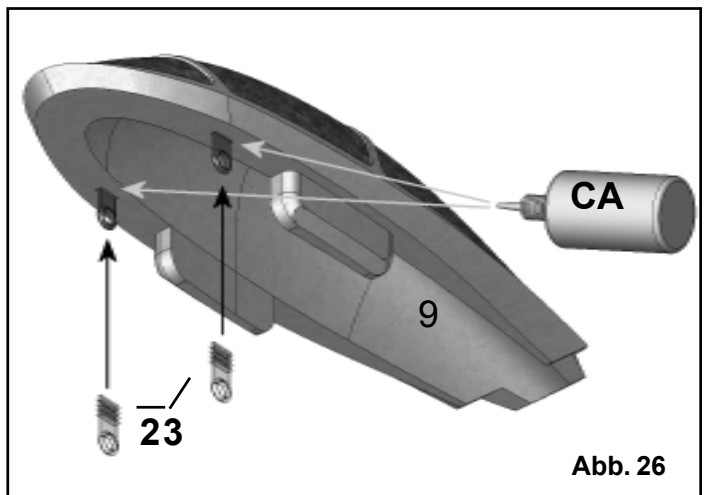
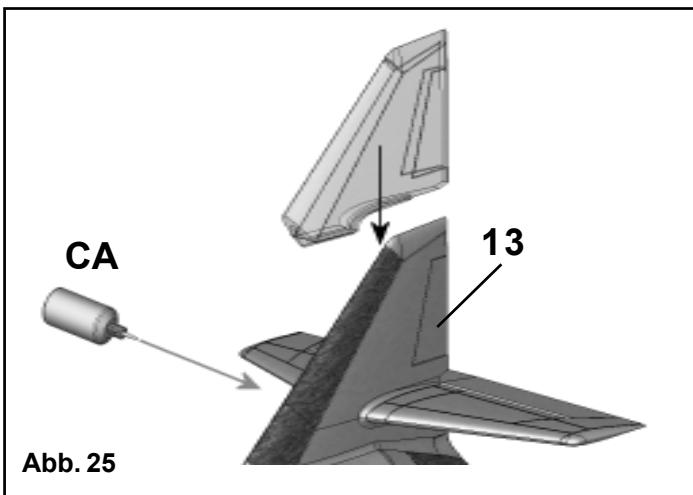
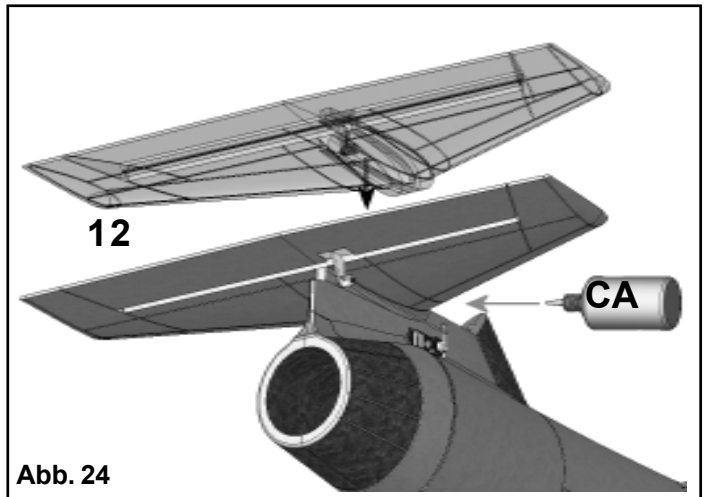
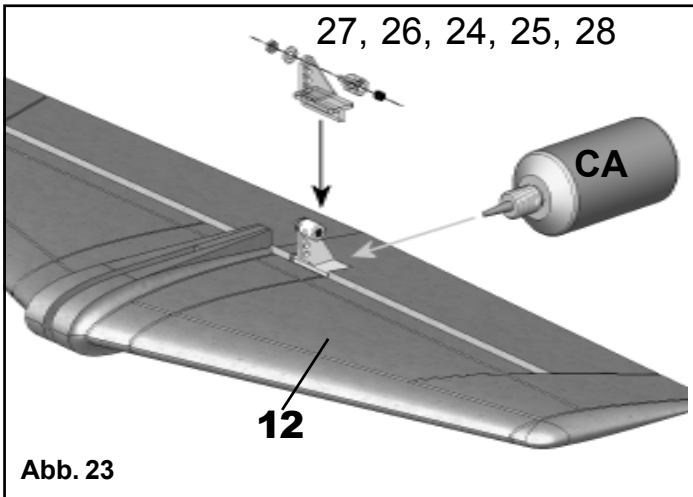
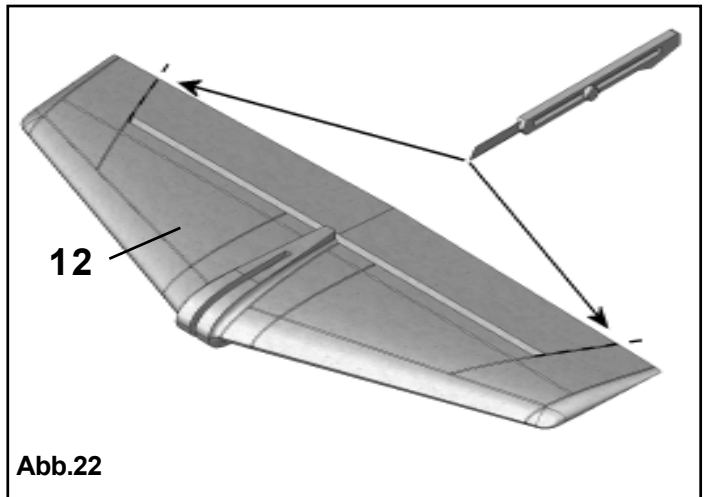
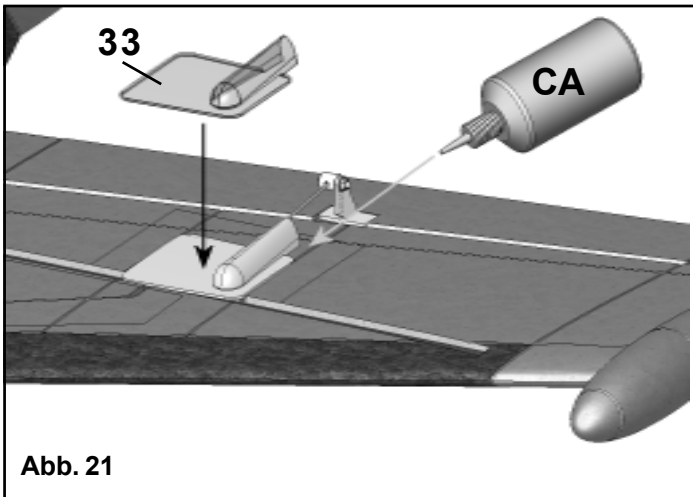
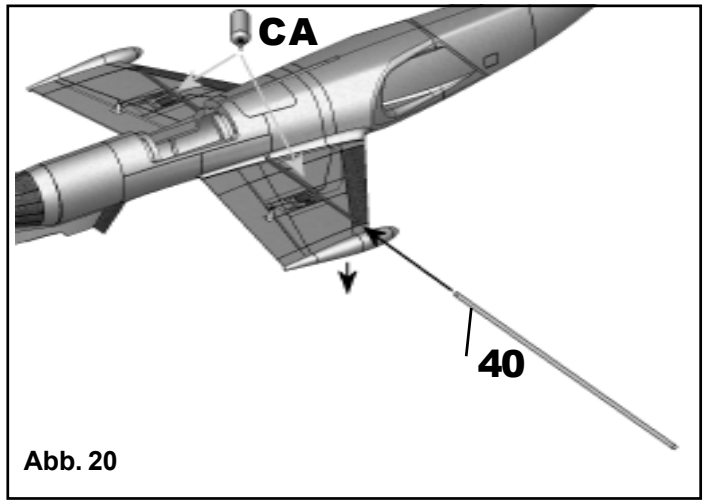
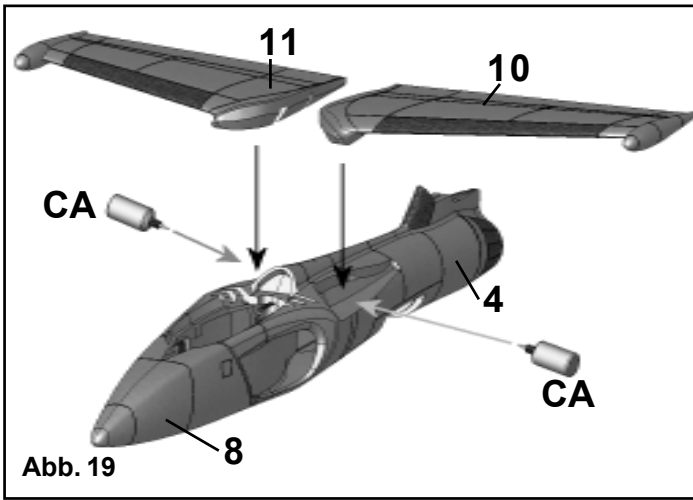


Abb. 18



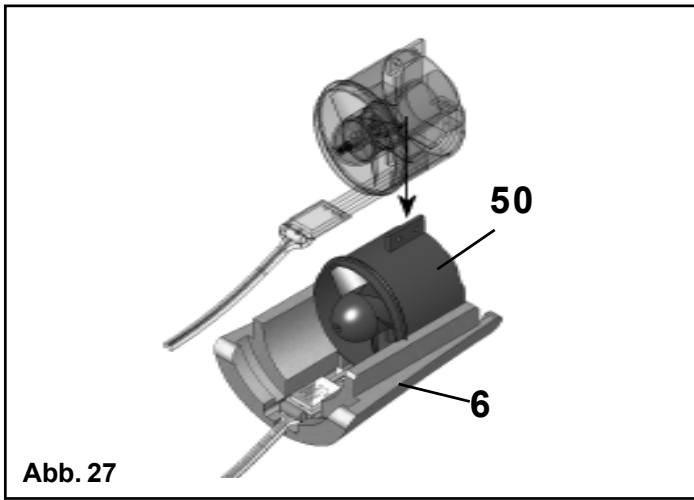


Abb. 27

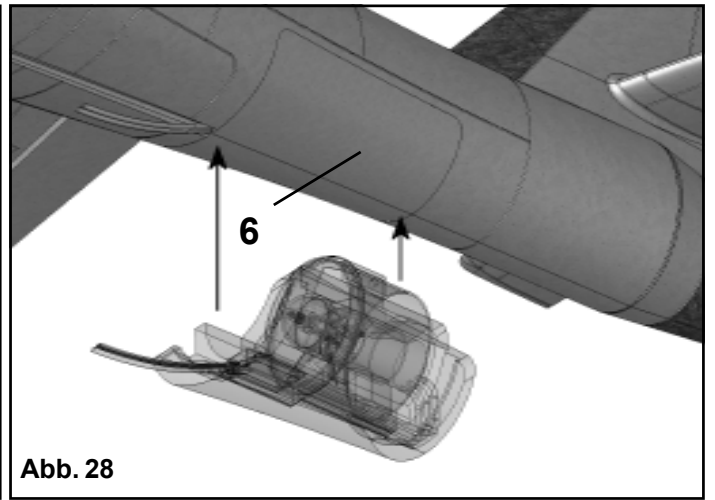


Abb. 28

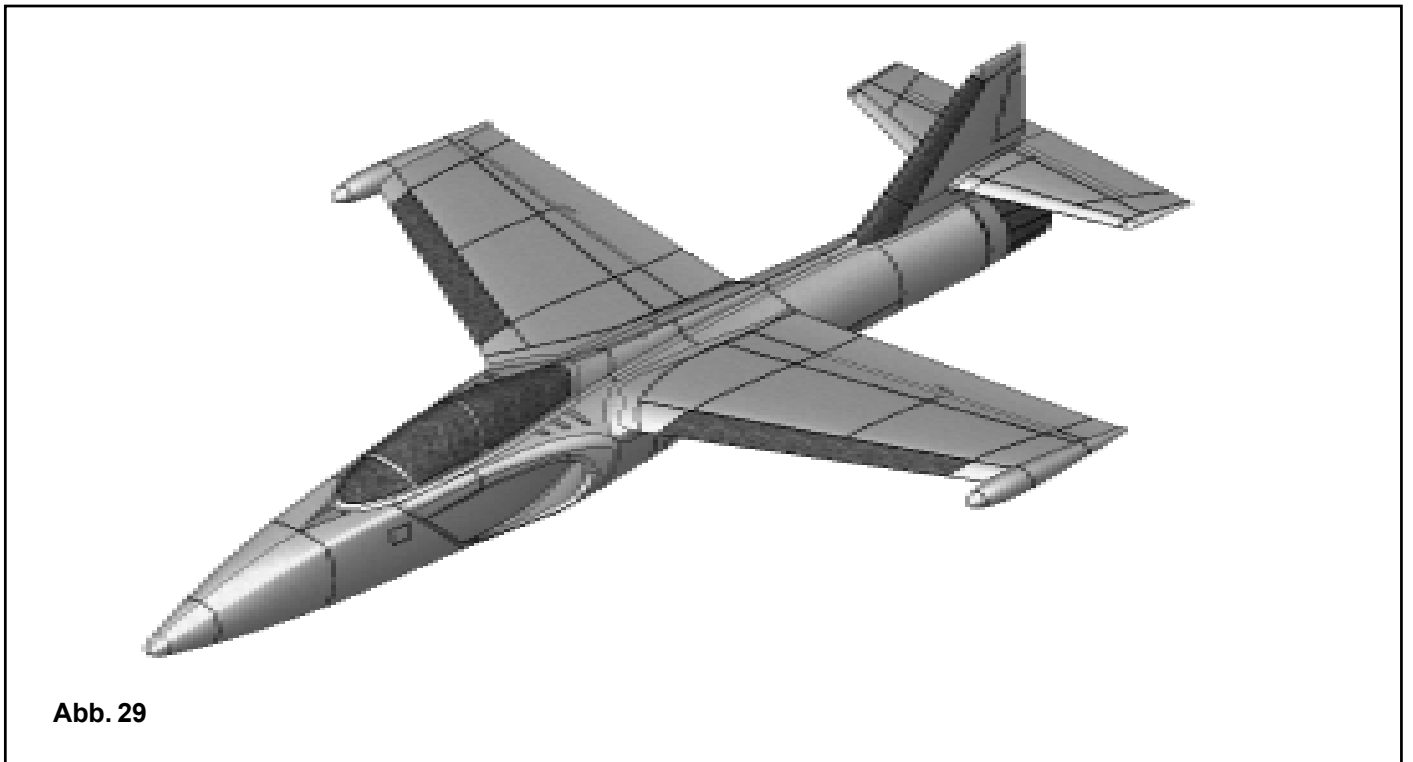


Abb. 29

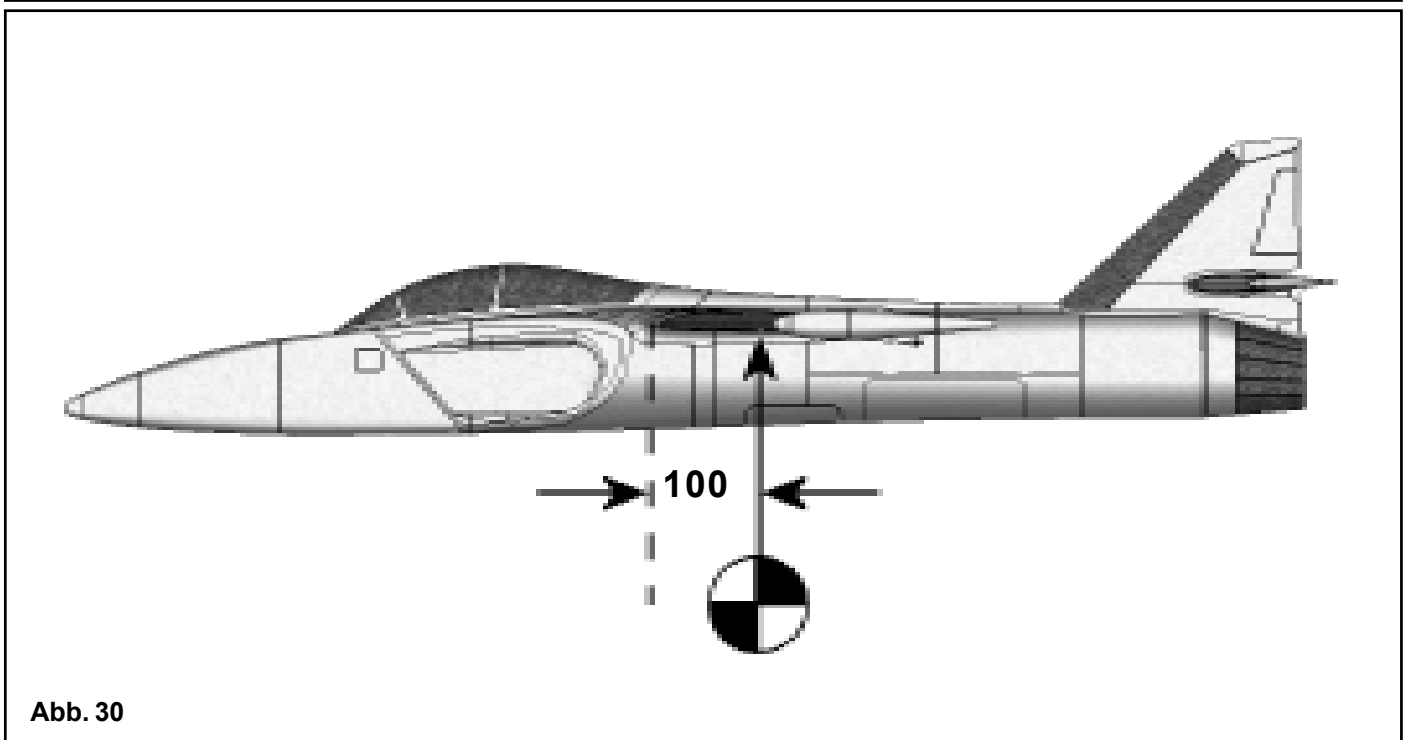


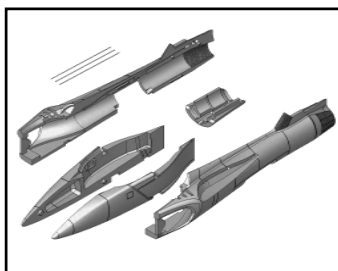
Abb. 30

**ERSATZTEILE**  
**REPLACEMENT PARTS**  
**PIECES DE RECHANGES**  
**PARTI DI RICAMBIO**  
**REPUESTOS**

(bitte bei Ihrem Fachhändler bestellen)  
 (please order from your model shop)  
 (S.V.P. à ne commander que chez votre revendeur)  
 (da ordinare presso il rivenditore)  
 (por favor, dirijase a su distribuidor)

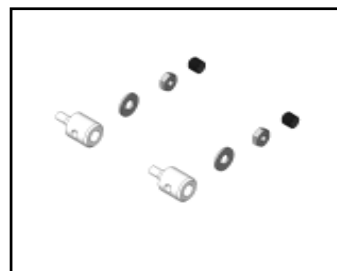
**# 22 4223**

Rumpf mit Impellerabdeckung  
 Fuselage avec trappe de Turbine  
 Fuselage with Impeller hatch  
 Fusoliera con coperchio  
 Fuselaje con cubierta de propulsores



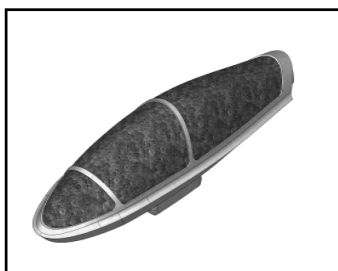
**# 70 3455**

Gestängeanschluss 2 St.  
 Raccords de tringles 2x  
 Swivel pushrod connector 2x  
 Raccordo per rinvii 2 pz.  
 Retén de varilla 2 Uds.



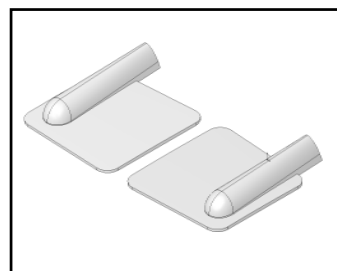
**# 22 4224**

Kabinenhaube  
 Verrière  
 Canopy  
 Capottina  
 Cabina



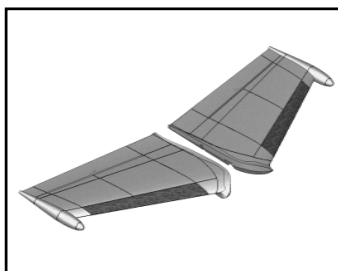
**# 72 4382**

Servohutzen  
 Cache-servo (1 paire)  
 Servo fairing (pair)  
 Carenature per servi (1 coppia)  
 Encastres de servo (1 pareja)



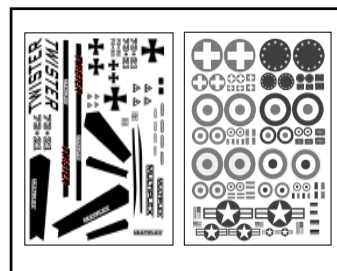
**# 22 4225**

Tragflächen  
 Ailes  
 Wings  
 Ali  
 Alas



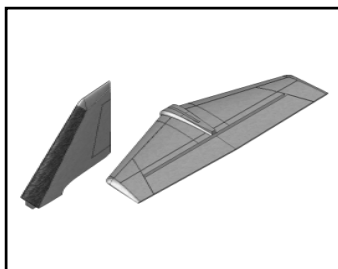
**# 72 4469**

Dekorsatz 2-tlg.  
 Planche de décoration 2x  
 Decal set, two-part  
 Decals 2x  
 Lámina decorativa, 2 partes



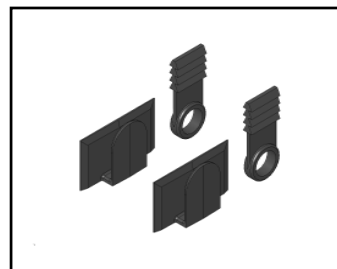
**# 22 4226**

Leitwerkssatz  
 Empennage  
 Tail set  
 Kit piani di coda  
 Kit de empenaje



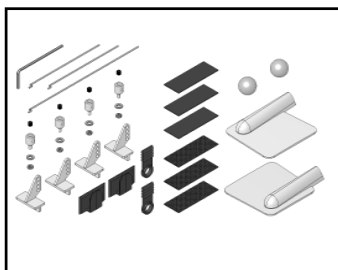
**# 72 5136**

Canopy-Lock (2 Paar)  
 Canopy-Lock (2 paires)  
 Canopy Lock (2 pairs)  
 Canopy-Lock (2 coppie)  
 Cierre de cabina (2 pares)



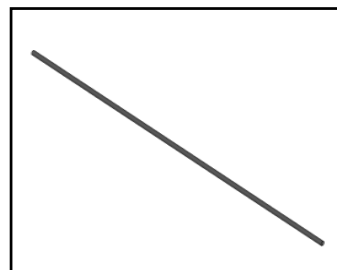
**# 22 4227**

Kleinteilesatz  
 Set de petites pièces diverses  
 Small items set  
 Set minuteria  
 Pequeñas piezas



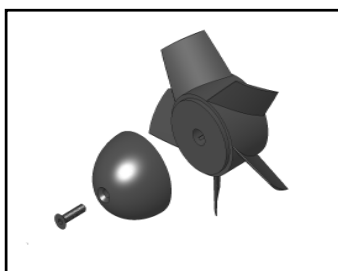
**# 72 3128**

Holmrohr  
 Clé d'aile  
 Tubular spar  
 Turbo baionetta  
 Larguero



**# 33 2562**

Rotor m. Spinner für DF69  
 Rotor avec cône pour turbine DF69  
 Rotor and spinner for DF69 impeller  
 Rotore con ogiva per DF 69  
 Rotor con cono para el propulsor DF69



**# 33 2563**

Mitnehmer mit Zubehör DF 69  
 Plateau avec accessoires pour turbine DF 69  
 Driver with accessories for DF69 impeller  
 Mozzo e accessori per DF 69  
 Adaptador con accesorios para DF 69

