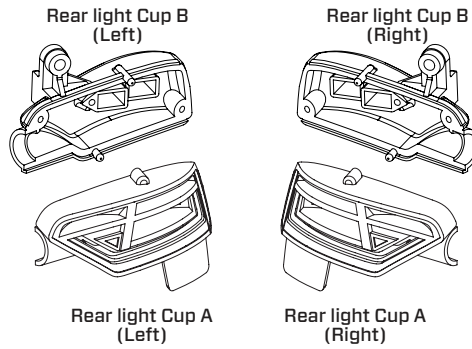
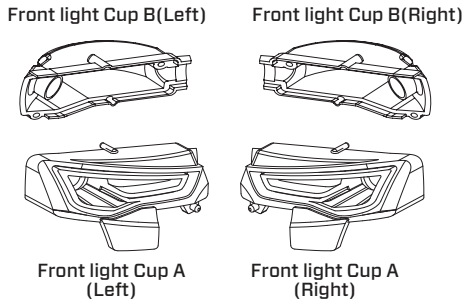
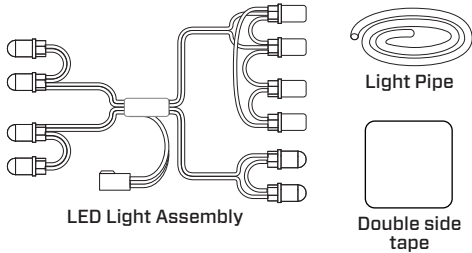
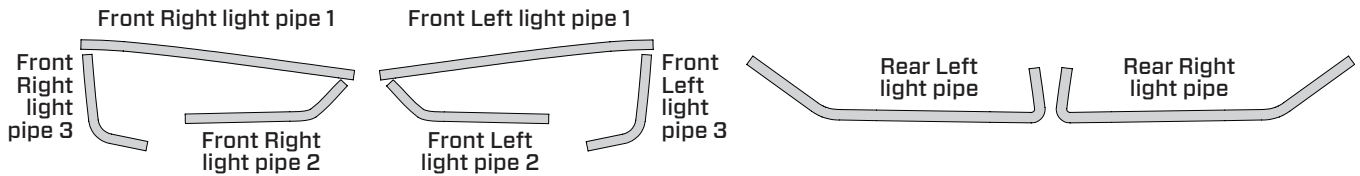


## AUDI RS5 DTM LED INSTALLATION INSTRUCTION

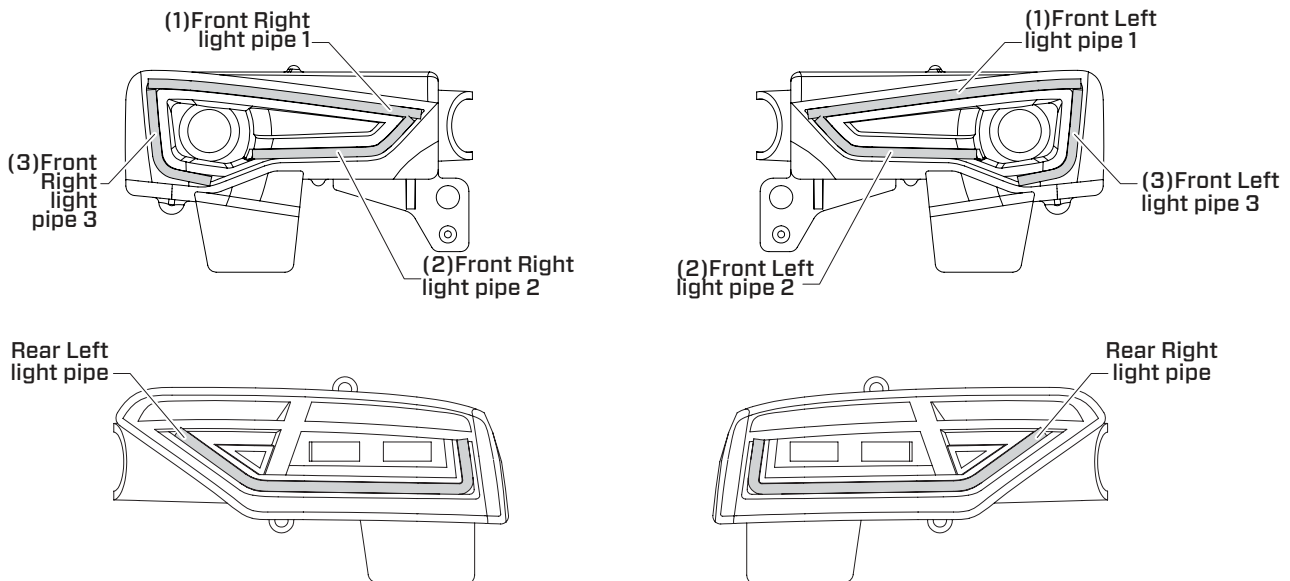


### STEP 1

Use cutter to cut 3 parts light pipe to fit the light cup shape .

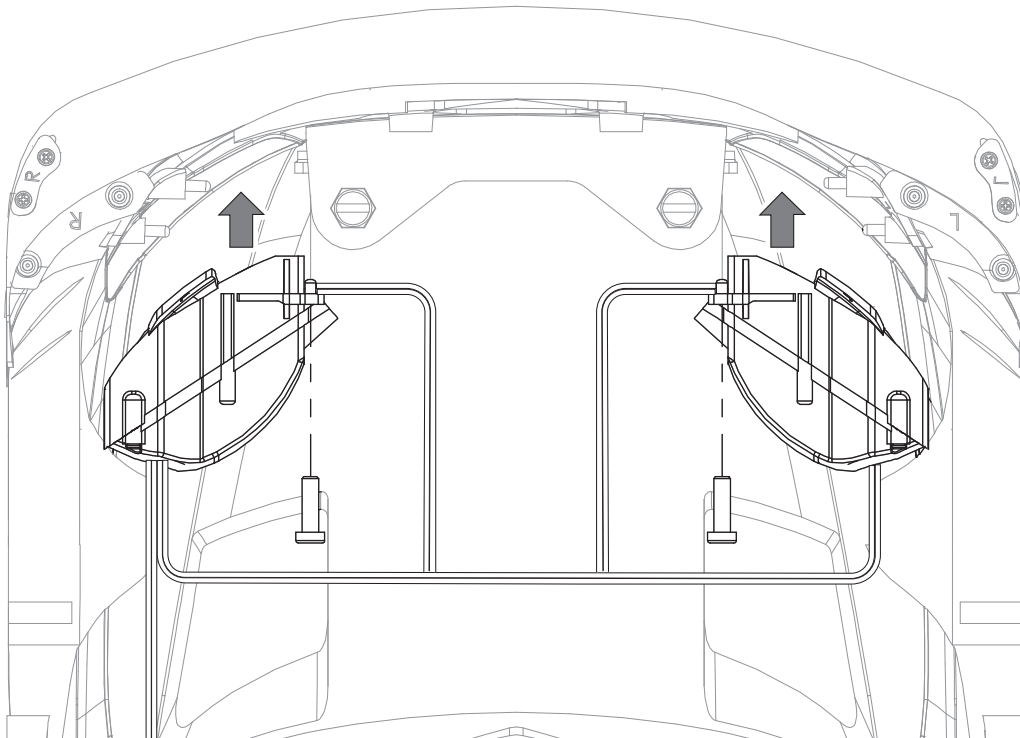
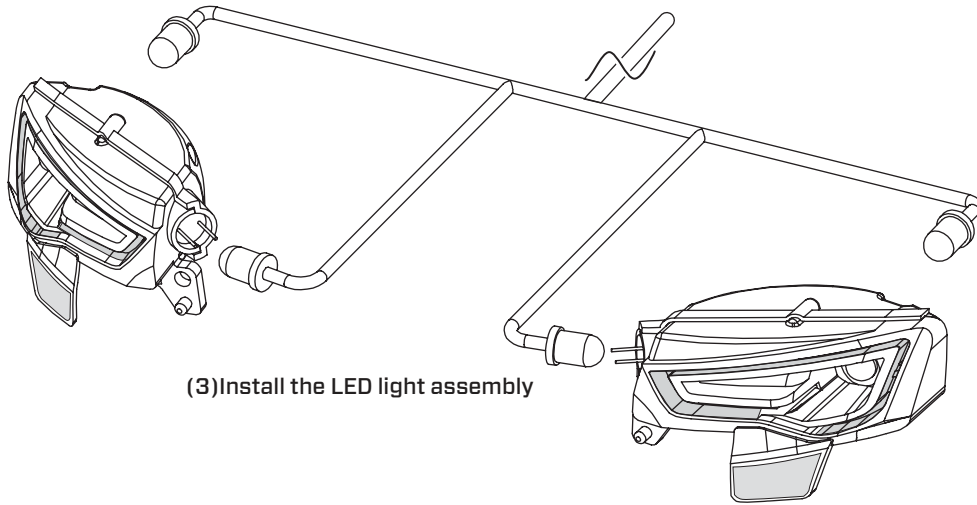
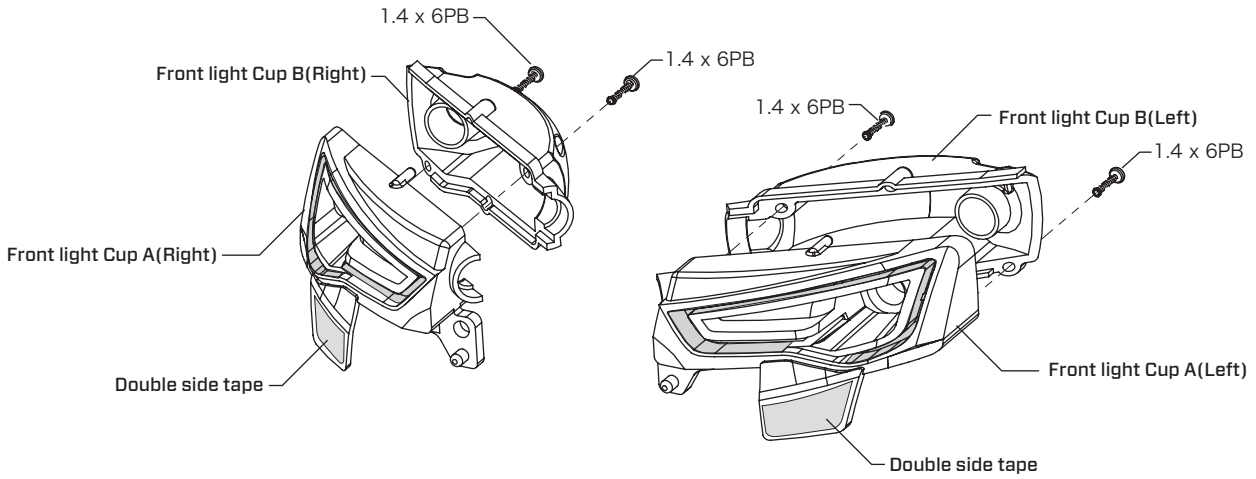


Install the light pipe to light cup, according the pictures shows



**STEP 2**

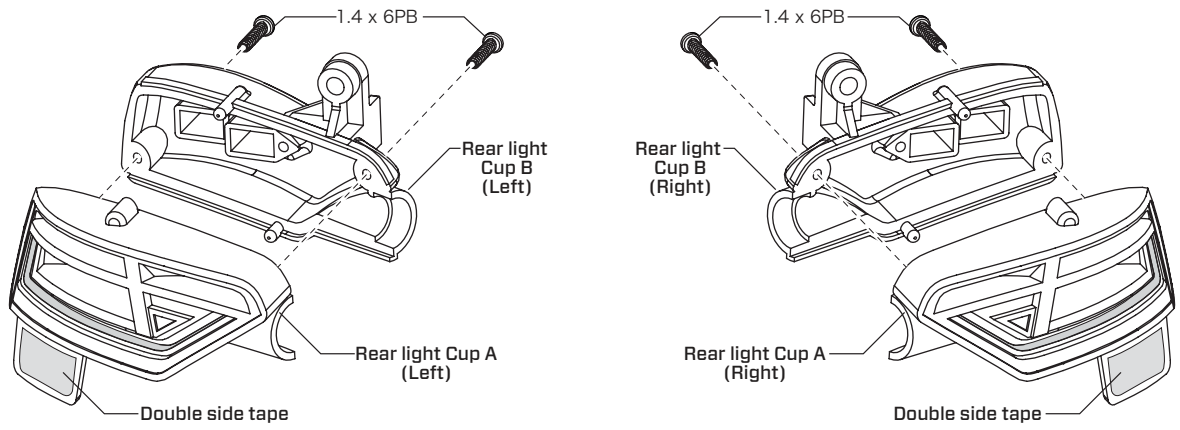
- (1) Use screw 1.4 x 6PB fixing the light cup.
- (2) Use double side tape on the light cup



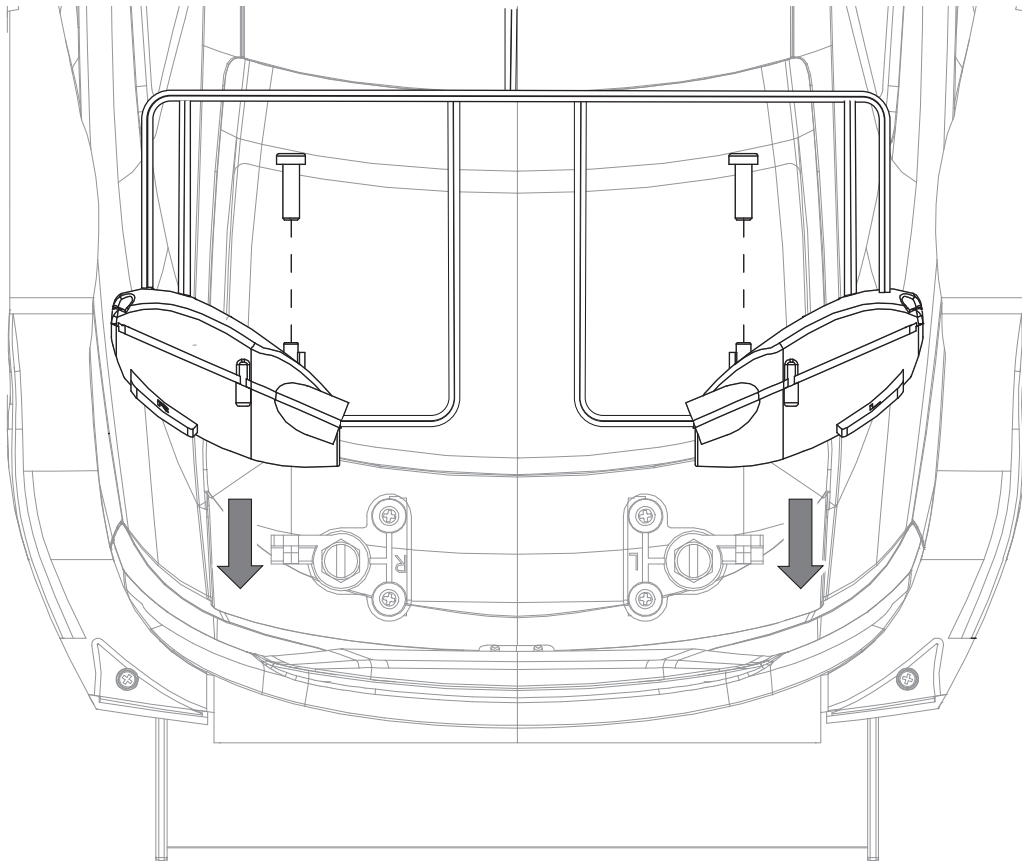
(3) Fixing the Front LED light assemble on to the car body

**STEP 3**

- (1) Use screw 1.4 x 6PB fixing the light cup.
- (2) Use double side tape on the light cup



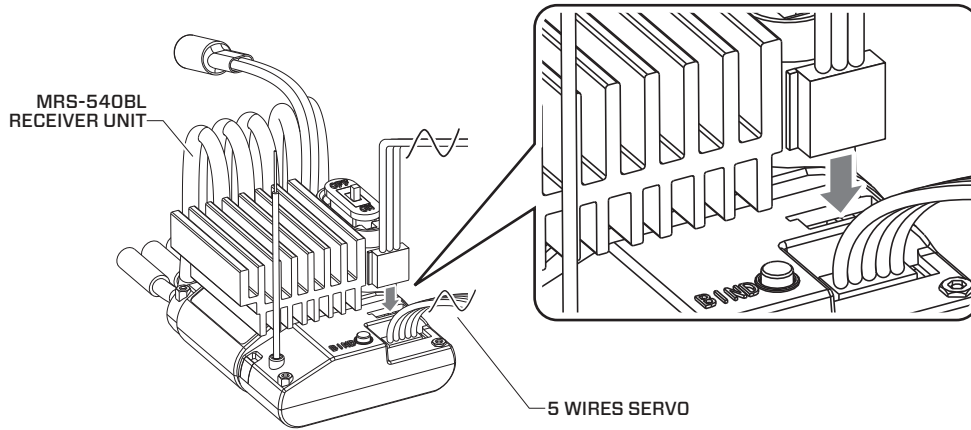
(3) Install the LED light assembly



(3) Fixing the Rear LED light assemble on to the car body

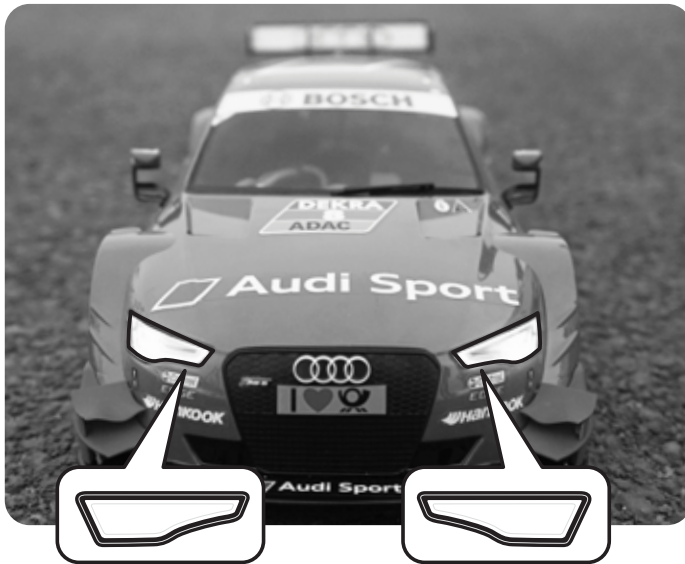
**STEP 4**

Locate the Auxiliary Port(3 Pin) and connect the LED light to the Receiver Unit(MRS-540BL)



**STEP 5**

Finally, tear off the Front and Rear light sticker and paste the light cup sticker on the car body.



Visit Us on [www.carisma.com.hk](http://www.carisma.com.hk)  
Also available at [www.carisma-shop.com](http://www.carisma-shop.com)

©2015 Carisma. All Rights Reserved. Product specifications are subject to change.  
Some models shown are prototypes which may vary slightly from what is inside.

Printed in China  
MAN-G00606

