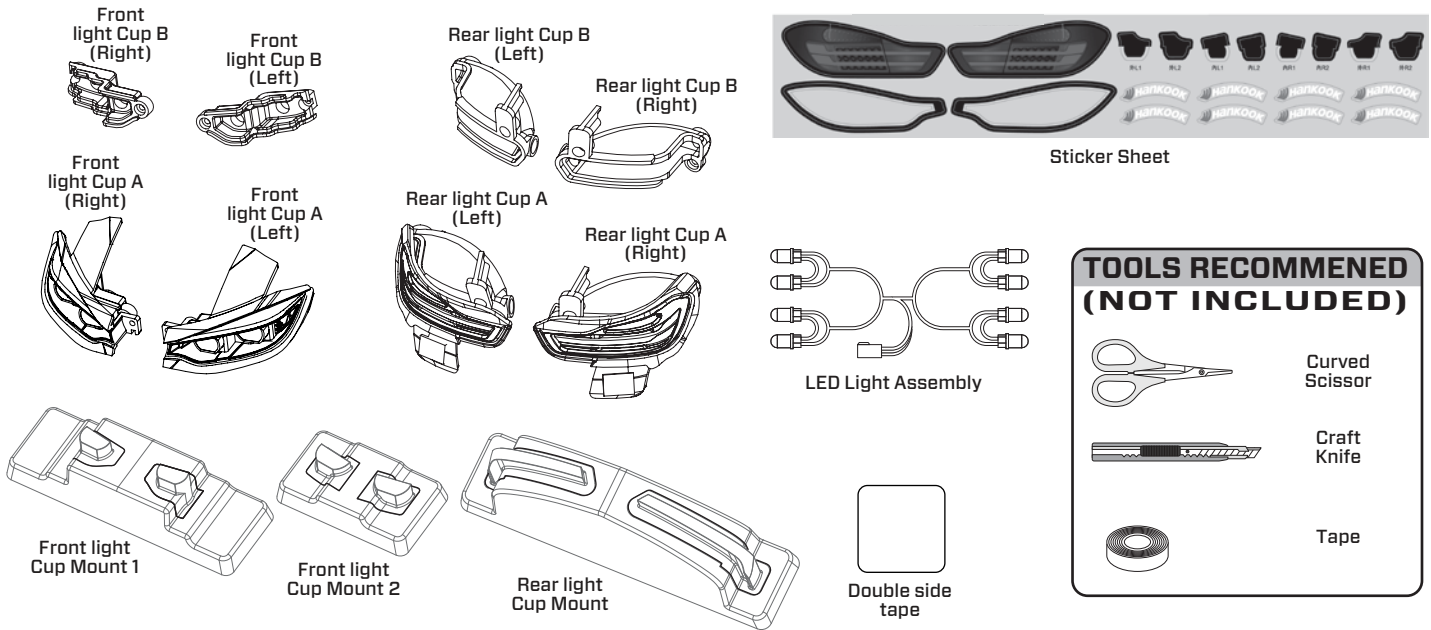
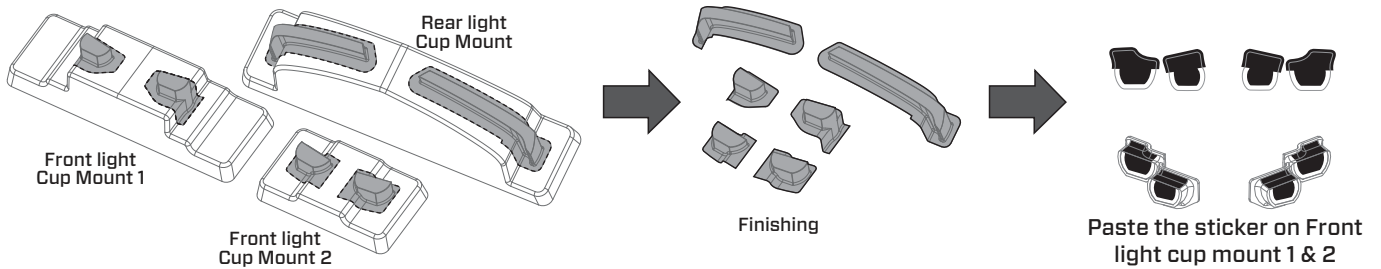


**BMW M4 DTM LED INSTALLATION INSTRUCTION**

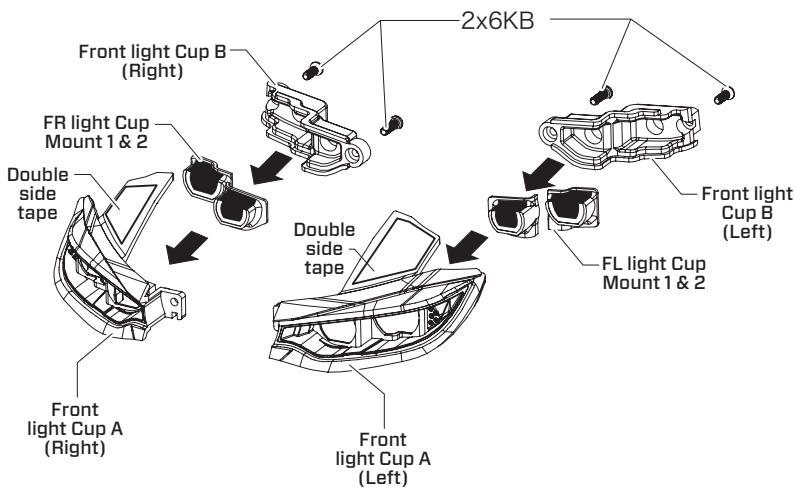


**STEP 1**

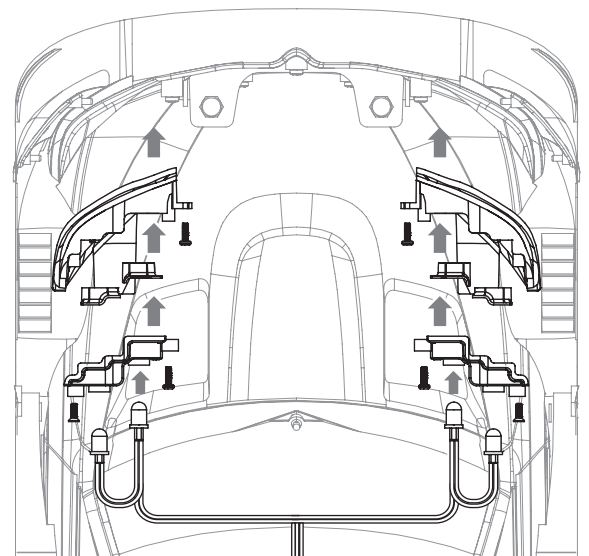
Use cutter to cut along the dotted line.



**STEP 2**

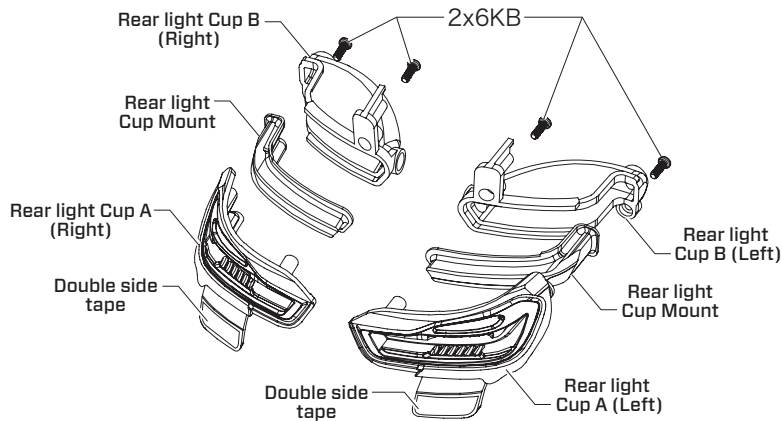


Assembly the Front light cup A, light cup mount & light cup B

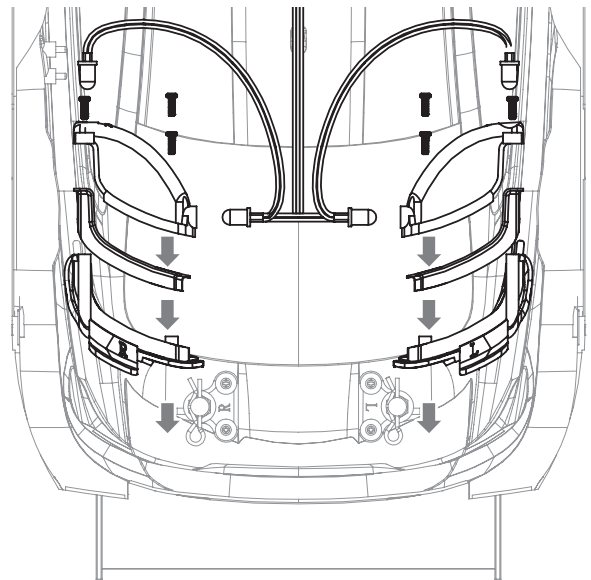


Use screw 2x6KB fixing on the car body and install the LED lightAssembly

### STEP 3



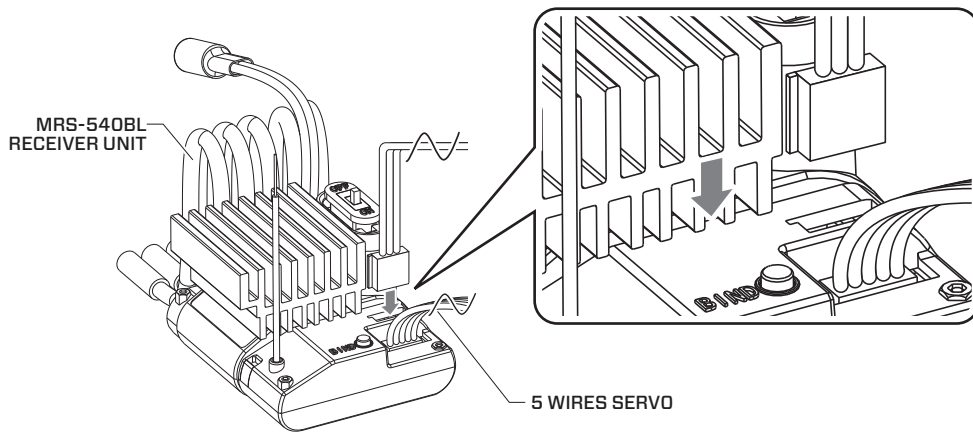
Assembly the Rear light cup A, light cup mount & light cup B



Use screw 2x6KB fixing on the car body and install the LED light Assembly

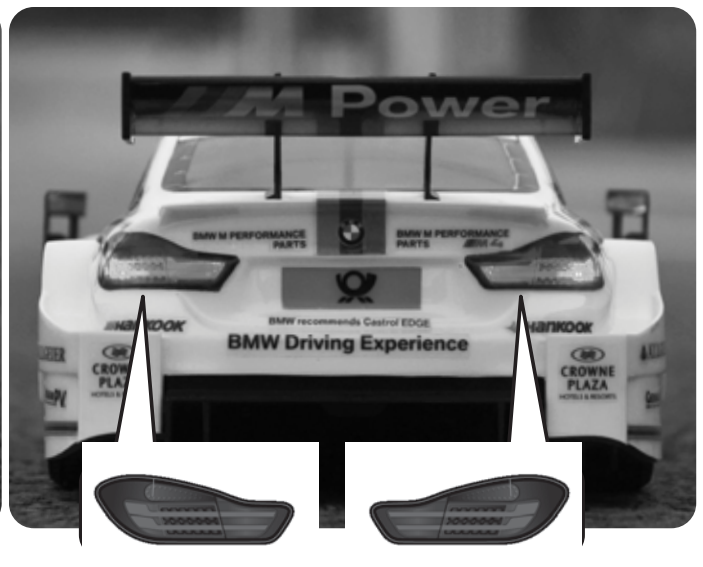
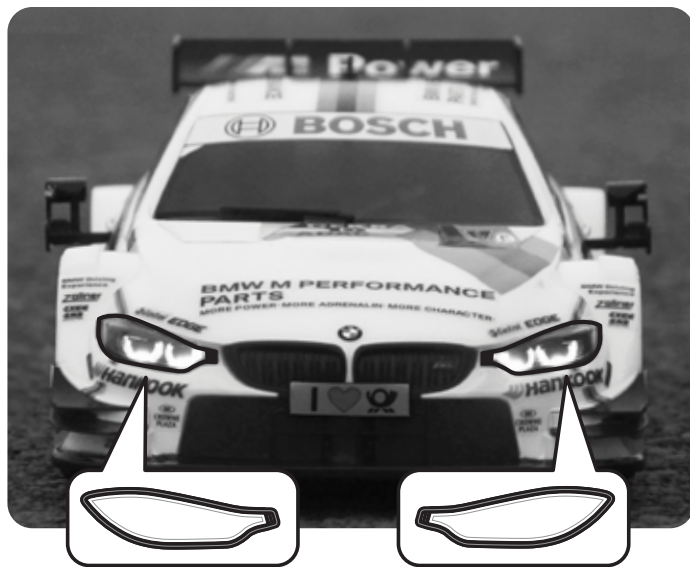
### STEP 4

Locate the Auxiliary Port(3 Pin) and connect the LED light to the Receiver Unit(MRS-540BL)



### STEP 5

Finally, tear off the Front and Rear light sticker and paste the light cup sticker on the car body.



Visit Us on [www.carisma.com.hk](http://www.carisma.com.hk)

Also available at [www.carisma-shop.com](http://www.carisma-shop.com)

©2015 Carisma. All Rights Reserved. Product specifications are subject to change. Some models shown are prototypes which may vary slightly from what is inside.

Printed in China  
MAN-G00607

