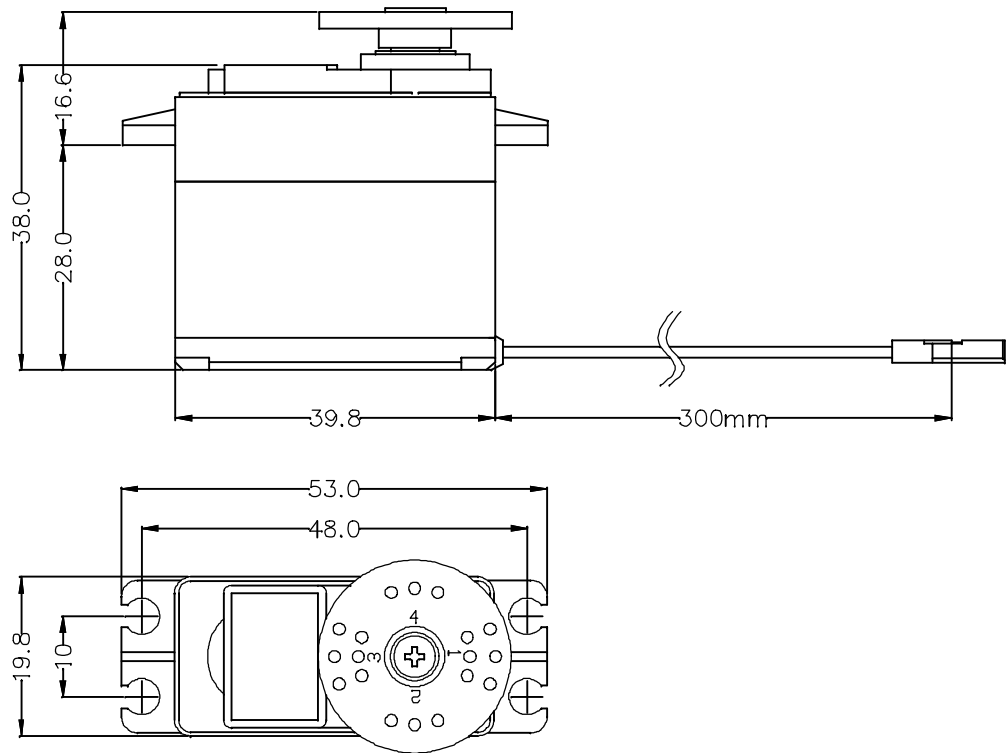


# GENERAL SPECIFICATION OF HS-5565MH LOW COST CORELESS DIGITAL SERVO

## 1. TECHNICAL VALUES

CONTROL SYSTEM	: +PULSE WIDTH CONTROL 1500usec NEUTRAL	
OPERATING VOLTAGE RANGE	: 6.0V TO 7.4V	
OPERATING TEMPERATURE RANGE	: -20°C TO +60°C (-4°F TO +140°F)	
TEST VOLTAGE	: AT 6.0V	AT 7.4V
OPERATING SPEED	: 0.11sec/60° NO LOAD	0.09sec/60° NO LOAD
STALL TORQUE	: 11kg.cm(152.7oz.in)	14kg.cm(194.4oz.in)
STANDING TORQUE	: -	: -
IDLE CURRENT	: 4mA AT STOPPED	4mA AT STOPPED
RUNNING CURRENT	: 260mA/60° AT NO LOAD	300mA/60° AT NO LOAD
STALL CURRENT	: 2100mA	2700mA
DEAD BAND WIDTH	: 2usec	2usec
OPERATING TRAVEL	: 40±5°/ONE SIDE PULSE TRAVELING 400usec	
DIRECTION	: CLOCK WISE/PULSE TRAVELING 1500 TO 1900usec	
ROTATIONAL LIFE	: 10,000cycle MIN/1.3kg.cm LOADED	
MOTOR TYPE	: 3-POLE FERRITE CORED METAL BRUSH	
POTENTIOMETER TYPE	: 4 SLIDER/1M CYCLE LONG LIFE/INDIRECT DRIVE	
AMPLIFIER TYPE	: DIGITAL SMT	
DIMENSIONS	: 39.8x19.8x38.0mm(1.57x0.78x1.49in)	
WEIGHT	: 59.0g	
BALL BEARING	: DUAL/MR106	
GEAR MATERIAL	: 3 Metal gears & 1 MP first gear	
HORN GEAR SPLINE	: 24 SEGMENTS/φ5.76	
SPLINED HORNS	: REGULAR/R-C,R-D,R-I,R-O,R-X	
CONNECTOR WIRE LENGTH	: 300mm(11.81in)	
CONNECTOR WIRE STRAND COUNTER	: 40EA	
CONNECTOR WIRE GAUGE	: 25AWG	



HITEC RCD KOREA, INC.