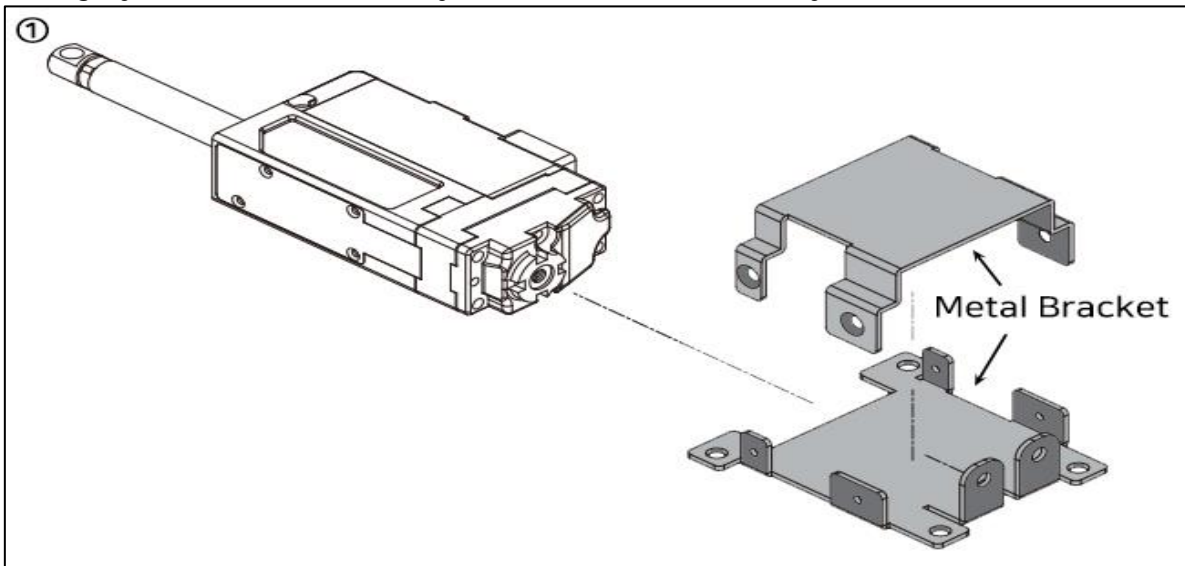


Using Metal Bracket(IR-MB02 which is dedicated for 27mm stroke version) This is the most common method to mount mightyZAP.

Fix mightyZAP using dedicated metal bracket IR-MB02.

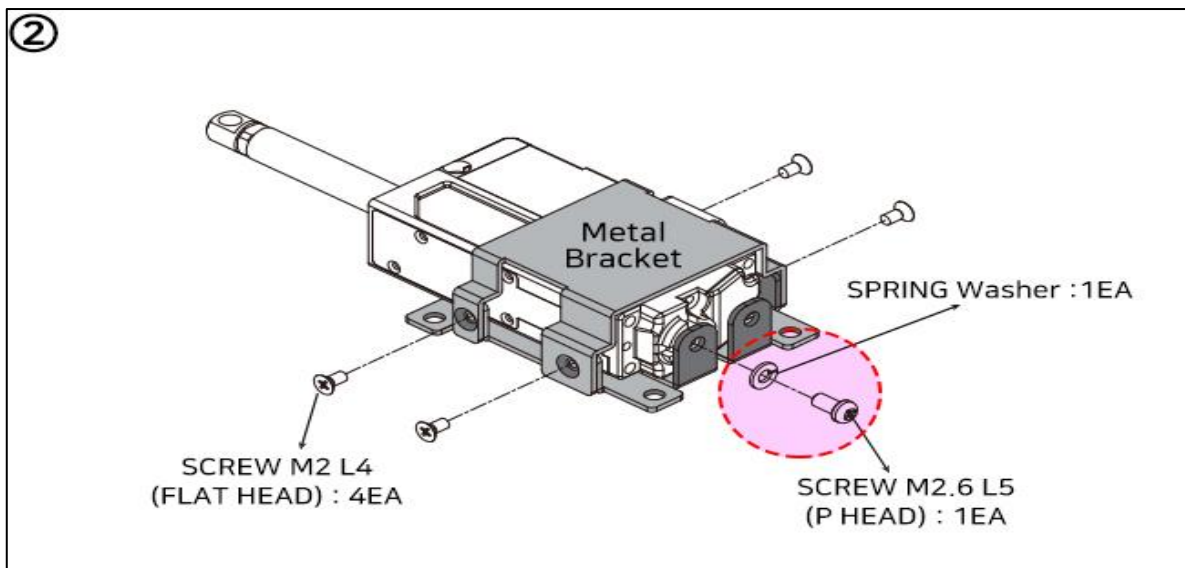
- 1) Separate the metal brackets from the top and bottom as shown in the figure below.
mightyZAP can be mounted by IR-MB02 without directivity.



- 2) Make sure to put spring washer before M2.6 L5 screw is applied.

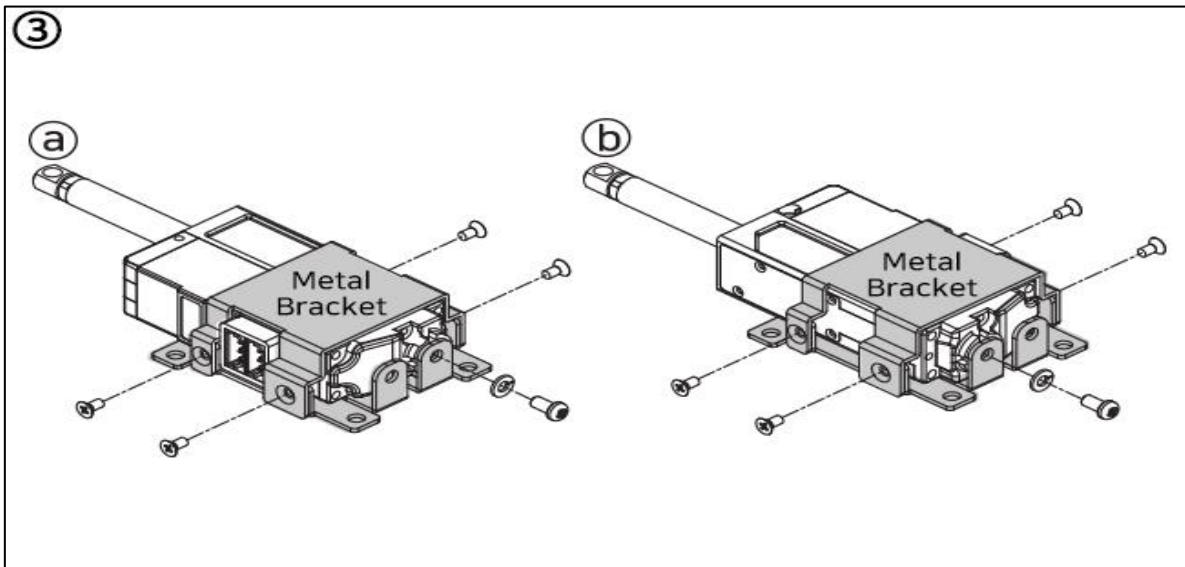
(See Red circle on image #② below.) **Otherwise, it may damage the servo motor inside.**

Tighten the metal bracket with the M2 L4 screw.



3) mightyZAP can be mounted by IR-MB02 **without directivity**.

See Installation method ③ and ④ below.



4) Mounting assembled metal brackets

- Apply M3 screws to 4 x M3 mounting holes. (M3 screws are not included.)

