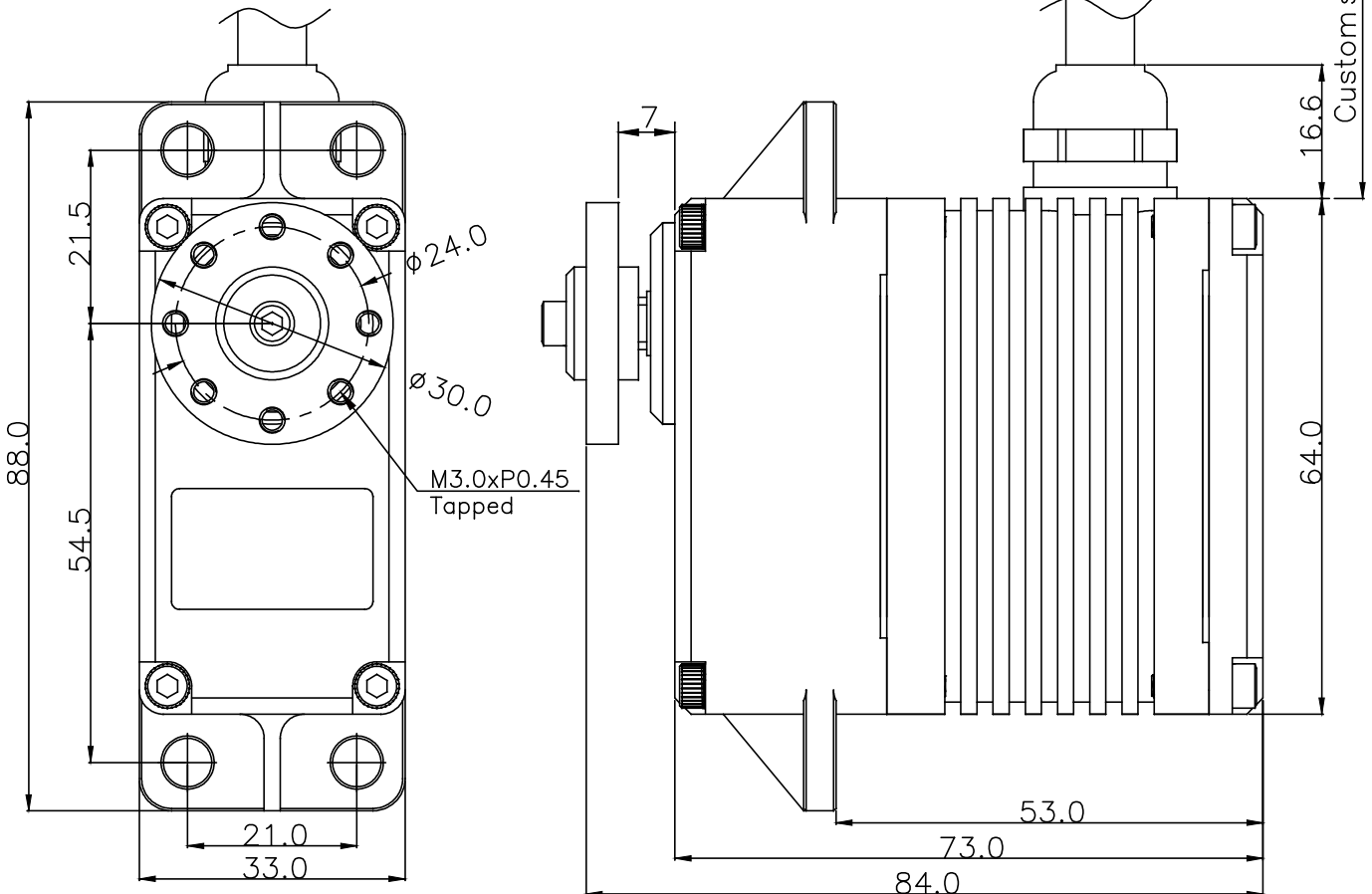


GENERAL SPECIFICATION OF HS-1100WP HIGH VOLTAGE TORQUE GIANT SERVO

1. TECHNICAL VALUE

CONTROL SYSTEM	:+PULSE WIDTH CONTROL 1500usec NEUTRAL
OPERATING VOLTAGE RANGE	:12.0V TO 15.0V
OPERATING TEMPERATURE RANGE	:-20°C TO +60°C(-4°F TO +140°F)
TEST VOLTAGE	:AT 11.1V AT 14.8V
OPERATING SPEED	:0.26sec/60° AT NO LOAD 0.19sec/60° NO LOAD
STALL TORQUE	:84.0kg.cm(1166.52oz.in) 110.0kg.cm(1527.58oz.in)
STANDING TORQUE	:—
IDLE CURRENT	:90mA AT STOPPED 130mA AT STOPPED
RUNNING CURRENT	:1100mA AT NO LOAD RUNNING 1300mA AT NO LOAD RUNNING
STALL CURRENT	:5500mA 6500mA
DEAD BAND WIDTH	:2usec 2usec
INPUT SIGNAL	:+5.0V 1500usec±400usec(±600usec WITH TRIM)
OPERATING TRAVEL	:40°/ONE SIDE PULSE TRAVELING 400usec
DIRECTION	:CLOCK WISE/PULSE TRAVELING 1500 TO 1900usec
OPERATING LIFE	:50,000cycles Min/14.0kg.cm LOADED
MOTOR TYPE	:CORED CARBON BRUSHES,5 POLES
POTENTIOMETER TYPE	:3 SLIDER, 1M cycle/SEMI INDIRECT DRIVE
AMPLIFIER TYPE	:DIGITAL AMPLIFIER WITH MOSFET DRIVE
DIMENSIONS	:64x33x73mm(2.52x1.30x2.90in)
WEIGHT	:363g(12.8oz)
BALL BEARING	:TWO MR148
GEAR MATERIAL	:ONE METAL-KARBONITE, 3 STEEL
HORN GEAR SPLINE	:SQUARE 6.5x6.5
SPLINED HORNS	:INDUSTRIAL/SQUARE I-MO
CONNECTOR WIRE LENGTH	:Custom specification
CONNECTOR WIRE GAUGE	:SIGNAL - 20AWG(0.08x80) :POWER - 0.08x120
Duration of the test in water	:1M /30min (IP67)



2. FEATURES

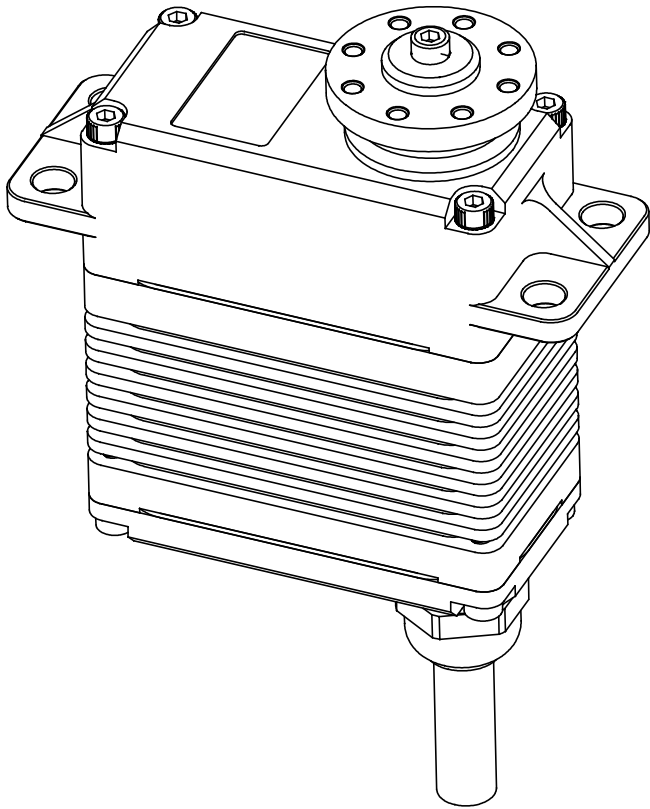
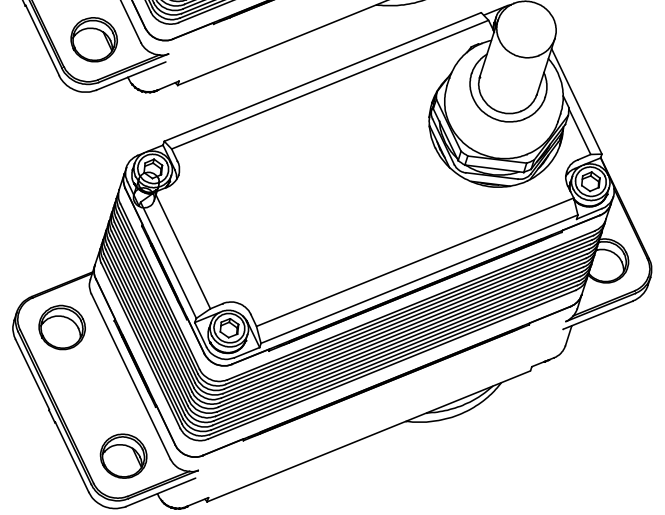
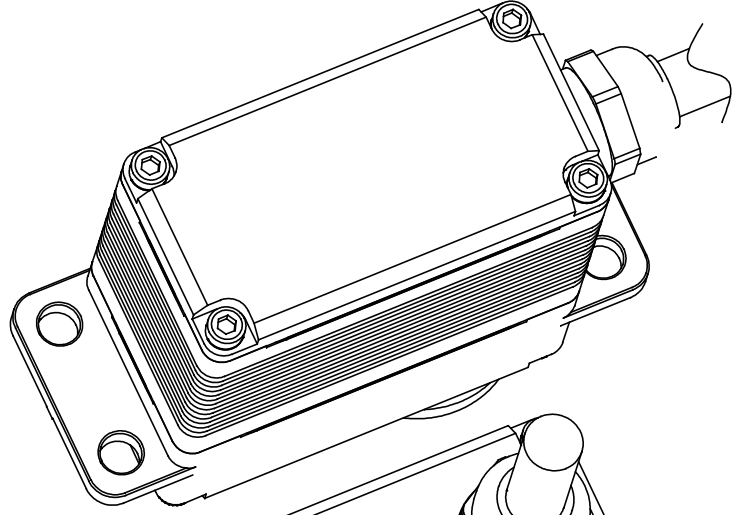
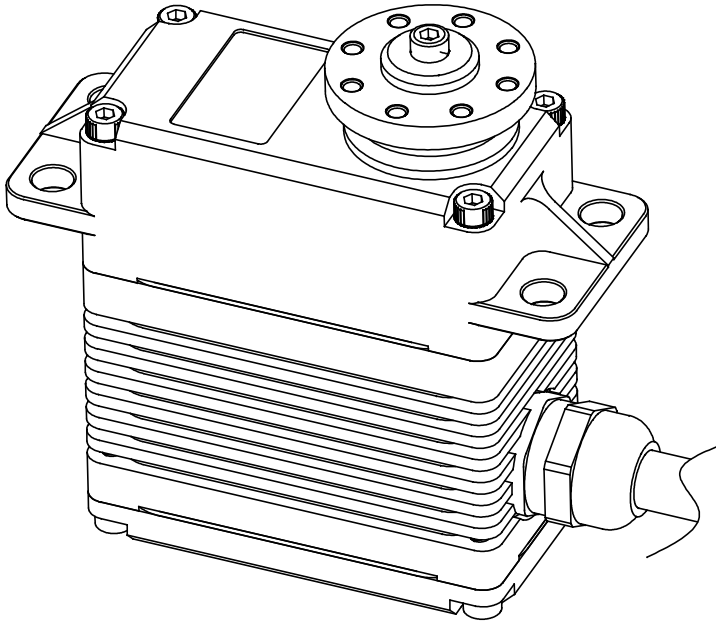
- HIGH RESPONDENCE DIGITAL AMPLIFIER WITH MOSFET DRIVE
- 1M CYCLE LONG LIFE POTENTIOMETER
- DURABLE CHROMATE PLATED ALUMINUM CASE & STEEL GEARS WITH QUAD BALL BEARING
- WATER & DUST RESISTANCE(IP67)

3. APPLICATIONS

INDUSTRY, UAV, ROBOTICS & SPECIAL EFFECTS

REVISIONS			
SYM.	DATE	APPROVED BY	DESCRIPTION
△			

〈WIRE DIRECTION TYPE〉



PART NO.	PART NAME	PART SPECIFICATION	MATERIAL	FINISH	TREATMENT	QUANTITY
TOLERANCES NOT OTHERWISE SPECIFIED		APPROVALS	DATE	DWG. SIZE A3	HITEC RCD KOREA, INC.	
FRACTIONAL		APPROVED BY		SCALE 1/1	TITLE EXPLODED VIEW	
DECIMAL		CHECKED BY				
ANGLES		DESIGNED BY	2014.11.17		UNIT mm	MODEL NO. HS-1100WP
PRIORITY		CSW			REF.NO.	SHEET OF