
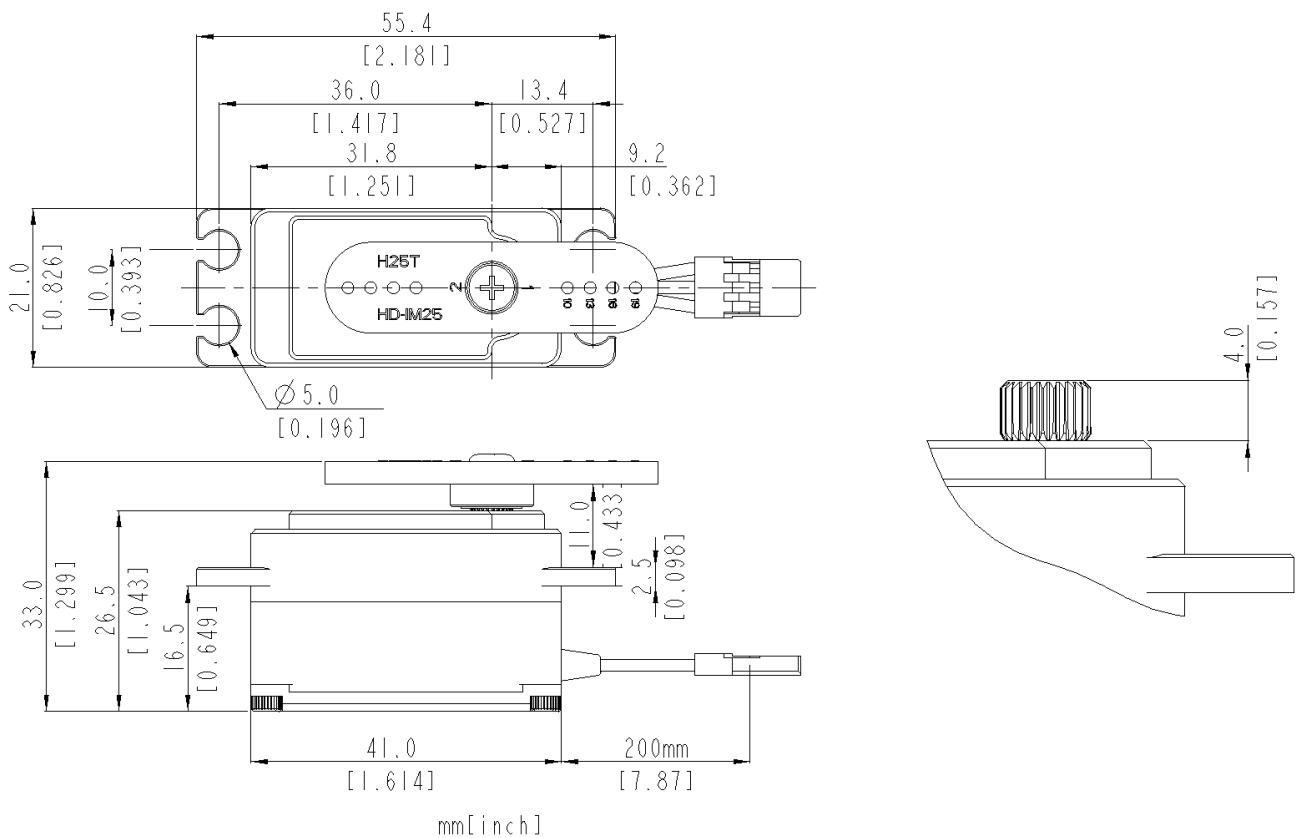


# DB778WP General Specification.



## HIGH TRQUE BLDC WATERPROOF LOW-PROFILE SERVO

Control system	PWM		-
Position sensor type	Contact Analog Potentiometer		-
Operating voltage range	6.0 ~ 7.4 V		-
Motor type	BLDC		-
Voltage	-	6.0V	7.4V
No load speed	-	0.12sec/60°	0.1 sec/60°
Stall torque	-	15.0 kgf·cm(208.31oz·in)	18.0 kgf·cm(249.97oz·in)
Standing current	-	28mA	28mA
No load running current	-	500mA	600mA
Stall current	-	4,500mA	5,500mA
Dead band width	-	1usec	1usec
Operating travel	±40°/One side pulse traveing 400usec		-
Operating temperature range	-20°C ~ +60°C (-4°F ~+140°F)		-
Vibrations at no load	MIL-STD-810G 514.6C-VII		-
Storage temperature range	-30°C ~ +80°C (-31°F ~+176°F)		-
Connector wire length	200mm ( 7.87inch)		
Connector wire gauge	20AWG		
Dimensions	41.0 mm x 21.0 mm x 26.5 mm ( 1.61inch x 0.82inch x 1.04inch )		-
Weight	66.0 g( 2.33oz)		Excluding the weight of Horn
Ball bearing	2 Ball Bearing		-
Case material	Rugged Aluminum Alloy		-
Gear material	5 Steel		-
Gear train backlash	Max 0.5°		-
Horn gear spline	25T(Ø6)		-
IP rate	IP67		-
Servo Amplifier type	32bit programmable Digital		-
Features			-
Applications			-



1:1 scale (unit : mm)



<https://hitechnology.com>