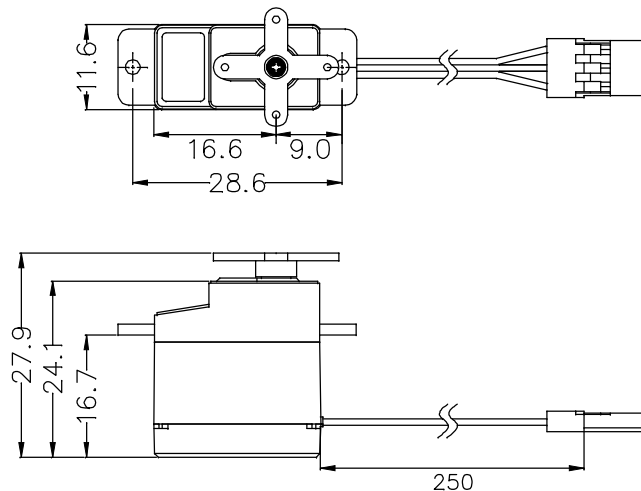


GENERAL SPECIFICATION OF HS-53 FEATHER SERVO

1. TECHNICAL VALUE	
CONTROL SYSTEM	: +PULSE WIDTH CONTROL 1500usec NEUTRAL
OPERATING VOLTAGE RANGE	: 4.8V TO 6.0V
OPERATING TEMPERATURE RANGE	: -20°C TO +60°C (-4°F TO +140°F)
TEST VOLTAGE	: AT 4.8V AT 6.0V
OPERATING SPEED	: 0.16sec/60° AT NO LOAD 0.13sec/60° AT NO LOAD
STALL TORQUE	: 1.2kg.cm(16.66oz.in) 1.5kg.cm(20.8oz.in)
STANDING TORQUE	: 1.0kg.cm(13.88oz.in)/5° HOLDOUT 1.2kg.cm(16.66oz.in)/5° HOLDOUT
IDLE CURRENT	: 8mA AT STOPPED 10mA AT STOPPED
RUNNING CURRENT	: 100mA/60° AT NO LOAD 125mA/60° AT NO LOAD
STALL CURRENT	: 440mA 550mA
DEAD BAND WIDTH	: 5usec 5usec
OPERATING TRAVEL	: 40°/ONE SIDE PULSE TRAVELING 400usec
DIRECTION	: CLOCK WISE/PULSE TRAVELING 1500 TO 1900usec
ROTATIONAL LIFE	: 5,000cycle MIN/0.4kg.cm LOADED
GEAR STRENGTH	: 2.0kg.cm(27.77oz.in) MIN
MOTOR TYPE	: CORED METAL BRUSH
POTENTIOMETER TYPE	: 2 SLIDER/DIRECT DRIVE
AMPLIFIER TYPE	: ANALOG SMT
DIMENSIONS	: 28.6x11.6x24.1mm(1.12x0.45x0.95in)
WEIGHT	: 8g(0.28oz)
BALL BEARING	: NON
GEAR MATERIAL	: POM NORMAL RESIN
HORN GEAR SPLINE	: 15 SEGMENTS/φ4
SPLINED HORNS	: FEATHER/FS-X,FS-IS,FS-IL
CONNECTOR WIRE LENGTH	: 250mm(9.84in)
CONNECTOR WIRE STRAND COUNTER	: 20 EA
CONNECTOR WIRE GAUGE	: 28AWG



2. FEATURES
HIGH IMPACT GEARS

3. APPLICATIONS
FAST PARK FLYING MODELS. ELECTRIC MICRO PLANE, MAV