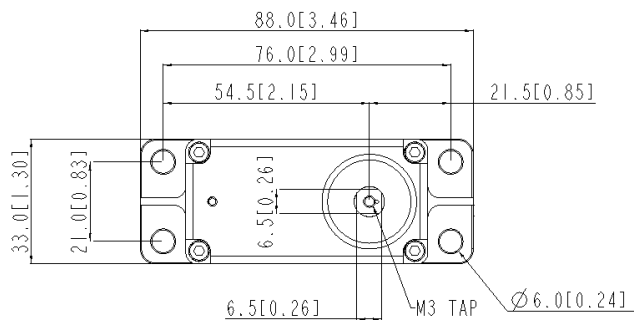


SG33BL-CAN General Specification.

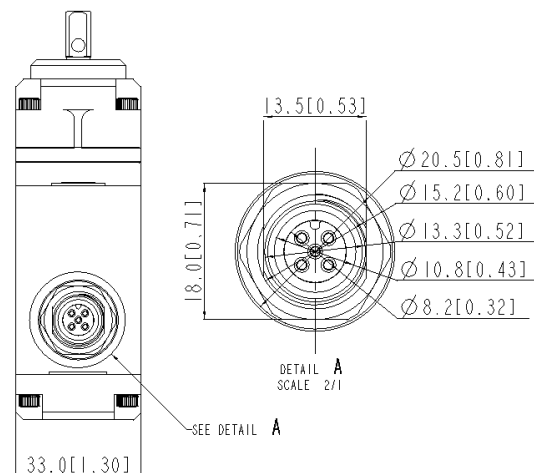
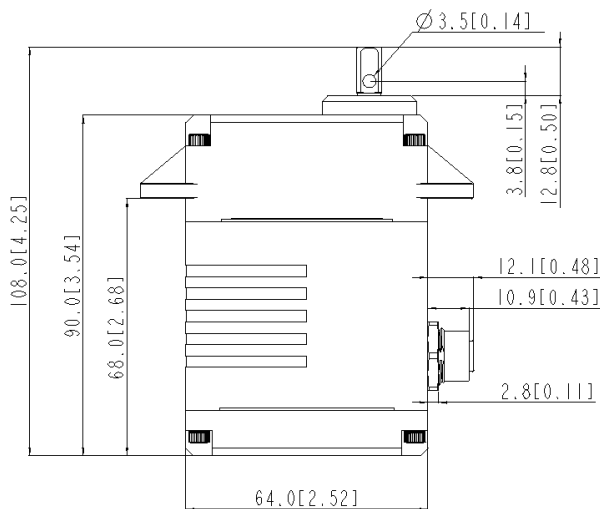


INDUSTRIAL SERVO

Control system	CAN 2.0A,B / UAVCAN			-
Position sensor type	Contactless Magnetic Encoder			-
Operating voltage range	9.0 ~ 15.0 V			-
Motor type	BLDC			-
Voltage	-	12.0V	-	At 25°C, 45% (±10%) measurement environment
No load speed	-	0.185sec/60°	-	
Stall torque	-	147.0 kgf·cm(2,039.22oz·in)	-	
Standing current	-	45mA	-	
No load running current	-	500mA	-	
Stall current	-	10,000mA	-	
Dead band width	-	4step	-	
Operating travel	Servo mode : ±150 / Turn mode : ±11,796,120			-
Operating temperature range	-20°C ~ +70°C (-4°F ~ +158°F)			-
Vibrations at no load	MIL-STD-810G 514.6C-VII			-
Storage temperature range	-40°C ~ +80°C(-40°F ~ +176°F)			-
Connector wire length	-			
Connector wire gauge	-			
Dimensions	64.0 mm x 33.0 mm x 90.0 mm (2.52inch x 1.3 inch x 3.74inch)			Refer to the tolerance information
Weight	475.0 g(16.76oz)			Excluding the weight of Horn
Ball bearing	6 Ball bearing & 2 Needle bearing			-
Case material	Rugged Aluminum Alloy			-
Gear material	1MPM & 3 Harden Steel Gear			-
Gear train backlash	Max 0.5°			-
Horn gear spline	Square 6.5x6.5			-
IP rate	IP67			-
Servo Amplifier type	32bit programmable Digital			-
Features	-			-
Applications	-			-



Tolerance ,Unless Otherwise stated is	
Above 0.5 to and Including 9.0	±0.05
Excess 9 to and Including 120	±0.1
Excess 120 to and Including 315	±0.2
Excess 315 to and Including 1000	±1
Excess 1000 to and Including 2000	±2



1:2 scale (unit : mm)



<https://hitectechnology.com>