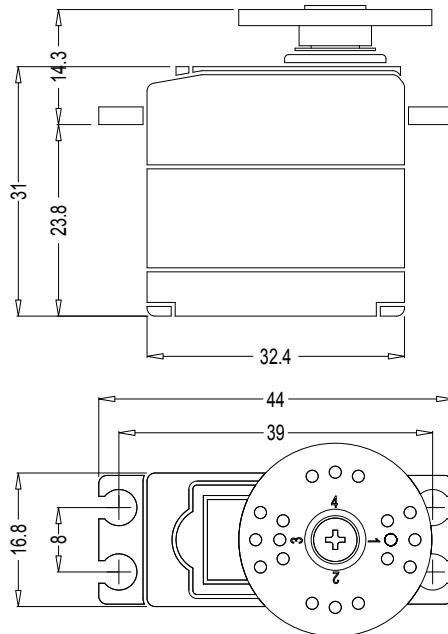


ANNOUNCED SPECIFICATION OF HS-225BB MIGHT MINI SERVO

1. TECHNICAL VALUES

CONTROL SYSTEM	: +PULSE WIDTH CONTROL 1500usec NEUTRAL	
OPERATING VOLTAGE RANGE	: 4.8V TO 6.0V	
OPERATING TEMPERATURE RANGE	: -20° C TO +60° C	
TEST VOLTAGE	: AT 4.8V	: AT 6.0V
OPERATING SPEED	: 0.14sec/60° AT NO LOAD	: 0.11sec/60° AT NO LOAD
STALL TORQUE	: 3.9kg.cm(54.15oz.in)	: 4.8kg.cm(66.65oz.in)
OPERATING ANGLE	: 45°/ONE SIDE PULSE TRAVELING 400usec	
DIRECTION	: CLOCK WISE/PULSE TRAVELING 1500 TO 1900usec	
CURRENT DRAIN	: 8mA/IDLE AND 300mA NO LOAD RUNNING	
DEAD BAND WIDTH	: 8usec	
CONNECTOR WIRE LENGTH	: 300mm(11.81in)	
DIMENSIONS	: 32.4x16.8x31mm(1.27x0.66x1.22in)	
WEIGHT	: 27g(0.95oz)	



2. FEATURES

- 3-POLE FERRITE MOTOR
- LONG LIFE POTENTIOMETER
- 1-OILITE BUSHING AND 1-BALL BEARING
- INDIRECT POTENTIOMETER DRIVE
- HYBRID I.C

3. APPLICATIONS

- AIRCRAFT UP TO 10 POUNDS
- STEERING SERVO FOR ON-ROAD 1/12TH 1/10 ELECTRIC
- FAST ELECTRIC BOATS