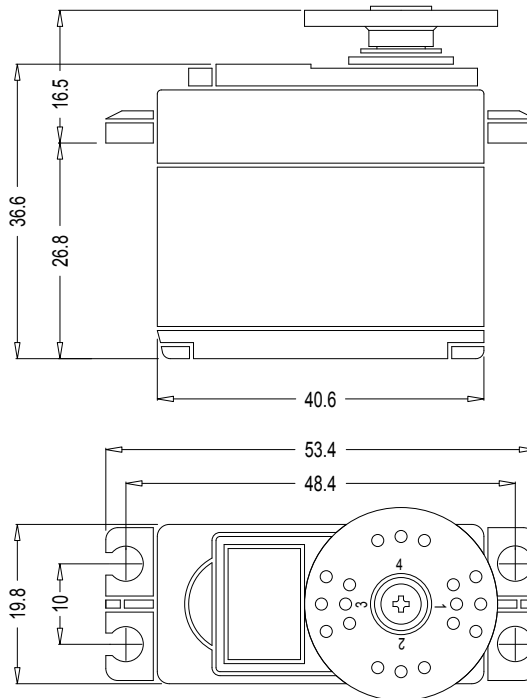


ANNOUNCED SPECIFICATION OF HS-425BB STANDARD DELUXE BALL BEARING SERVO

1. TECHNICAL VALUES

CONTROL SYSTEM	: +PULSE WIDTH CONTROL 1500usec NEUTRAL	
OPERATING VOLTAGE RANGE	: 4.8V TO 6.0V	
OPERATING TEMPERATURE RANGE	: -20 TO +60° C	
TEST VOLTAGE	: AT 4.8V	AT 6.0V
OPERATING SPEED	: 0.21sec/60° AT NO LOAD	0.16sec/60° AT NO LOAD
STALL TORQUE	: 3.3kg.cm(45.82oz.in)	4.1kg.cm(56.93oz.in)
OPERATING ANGLE	: 45° ONE SIDE PULSE TRAVELING 400usec	
DIRECTION	: CLOCK WISE/PULSE TRAVELING 1500 TO 1900usec	
CURRENT DRAIN	: 8mA/IDLE AND 150mA/NO LOAD RUNNING	
DEAD BAND WIDTH	: 8usec	
CONNECTOR WIRE LENGTH	: 300mm(11.81in)	
DIMENSIONS	: 40.6x19.8x36.6mm(1.59x0.77x1.44in)	
WEIGHT	: 45.5g(1.6oz)	



2. FEATURES

- 3-POLE FERRITE MOTOR
- LONG LIFE POTENTIOMETER
- DUAL BALL BEARING
- INDIRECT POTENTIOMETER DRIVE

3. APPLICATIONS

- AIRCRAFT 20-60 SIZE
- 30 SIZE HELICOPTERS
- STEERING AND THROTTLE SERVO FOR CARS
- TRUCK AND BOATS