

Target

PREPARED BY JUN HEE, LEE

ORIGIN DATE:NOV 01,2006

UPDATE: MAR 16,2007

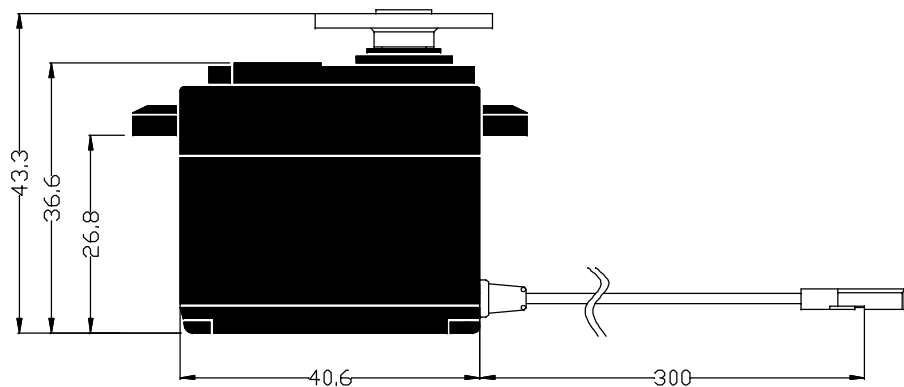
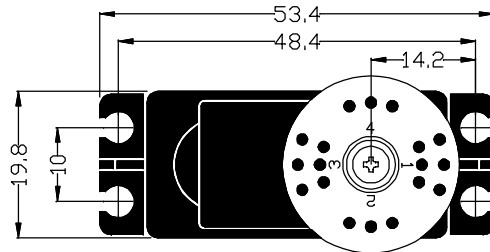
UPDATE: NOV 06,2008

UPDATE: NOV 08,2010

GENERAL SPECIFICATION OF HS-430BH STANDARD DELUXE SERVO

1. TECHNICAL VALUES

CONTROL SYSTEM	: +PULSE WIDTH CONTROL 1500usec NEUTRAL	
OPERATING VOLTAGE RANGE	: 6.0V TO 7.4V	
OPERATING TEMPERATURE RANGE	: -20°C TO +60°C (-4°F TO +140°F)	
TEST VOLTAGE	: AT 6.0V	: AT 7.4V
OPERATING SPEED	: 0.16sec/60° AT NO LOAD	: 0.14sec/60° AT NO LOAD
STALL TORQUE	: 4.1kg.cm(56.93oz.in)	: 5.0kg.cm(69.43oz.in)
IDLE CURRENT	: 8mA AT STOPPED	: 10mA AT STOPPED
RUNNING CURRENT	: 150mA/60° AT NO LOAD	: 190mA/60° AT NO LOAD
STALL CURRENT	: 750mA	: 930mA
DEAD BAND WIDTH	: 5usec	: 5usec
OPERATING TRAVEL	: 40°/ONE SIDE PULSE TRAVELING 400usec	
DIRECTION	: CLOCK WISE/PULSE TRAVELING 1500 TO 1900usec	
ROTATIONAL LIFE	: 10,000cycle MIN/1.3kg.cm LOADED	
MOTOR TYPE	: CORED METAL BRUSH	
POTENTIOMETER TYPE	: 2 SLIDER/DIRECT DRIVE	
AMPLIFIER TYPE	: ANALOG AMPLIFIER WITH MOSFET DRIVE	
DIMENSIONS	: 40.6x19.8x36.6mm(1.59x0.77x1.44in)	
WEIGHT	: 45.5g(1.6oz)	
BALL BEARING	: DUAL /MR106	
GEAR MATERIAL	: POM RESIN	
HORN GEAR SPLINE	: 24 SEGMENTS/ø5.76	
SPLINED HORNS	: REGULAR/R-C,R-D,R-I,R-O,R-X	
CONNECTOR WIRE LENGTH	: 300mm(11.81in)	
CONNECTOR WIRE STRAND COUNTER	: 40EA	
CONNECTOR WIRE GAUGE	: 25AWG	



2. FEATURES

LONG LIFE

DUAL BALL BEARING

INDIRECT POTENTIOMETER DRIVE

3. APPLICATIONS

AIRCRAFT 20-60 SIZE

30 SIZE HELICOPTERS

STEERING AND THROTTLE SERVO FOR CARS

TRUCK AND BOATS

HITEC RCD KOREA, INC.