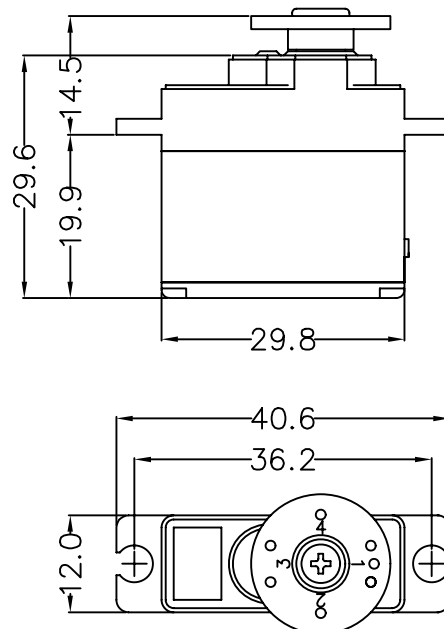


GENERAL SPECIFICATION OF HS-82MG METAL GEAR MICRO SERVO

1. TECHNICAL VALUE

CONTROL SYSTEM	: +PULSE WIDTH CONTROL 1500usec NEUTRAL
OPERATING VOLTAGE RANGE	: 4.8V TO 6.0V
OPERATING TEMPERATURE RANGE	: -20°C TO +60°C (-4°F TO +140°F)
TEST VOLTAGE	: AT 4.8V AT 6.0V
OPERATING SPEED	: 0.12sec/60° AT NO LOAD 0.10sec/60° AT NO LOAD
STALL TORQUE	: 2.8kg.cm(38.88oz.in) 3.4kg.cm(47.22oz.in)
STANDING TORQUE	: 2.2kg.cm(30.55oz.in)/5° HOLDOUT 2.7kg.cm(37.50oz.in)/5° HOLDOUT
IDLE CURRENT	: 10mA AT STOPPED 10mA AT STOPPED
RUNNING CURRENT	: 220mA/60° AT NO LOAD 280mA/60° AT NO LOAD
STALL CURRENT	: 1,450mA 1,800mA
DEAD BAND WIDTH	: 5usec 5usec
OPERATING TRAVEL	: 40°/ONE SIDE PULSE TRAVELING 400usec
DIRECTION	: CLOCK WISE/PULSE TRAVELING 1500 TO 1900usec
ROTATIONAL LIFE	: 20,000cycle MIN/0.8kg.cm LOADED
GEAR STRENGTH	: 11kg.cm MIN
MOTOR TYPE	: CORED METAL BRUSH
POTENTIOMETER TYPE	: 2 SLIDER/DIRECT DRIVE
AMPLIFIER TYPE	: ANALOG SMT
DIMENSIONS	: 29.8x12.0x29.6mm(1.17x0.47x1.16in)
WEIGHT	: 19.0g(0.66oz)
BALL BEARING	: NON
GEAR MATERIAL	: 4 METAL
HORN GEAR SPLINE	: 24 SEGMENTS/ø5.76
SPLINED HORNS	: MICRO/M-I, M-O, M-X
CONNECTOR WIRE LENGTH	: 250mm(9.84in)
CONNECTOR WIRE STRAND COUNTER	: 20 EA
CONNECTOR WIRE GAUGE	: 28AWG



2. FEATURES

LOW WEIGHT METAL GEARS

3. APPLICATIONS

SMALL PLANES
GLIDERS
ELECTRIC HELICOPTER
1/18 SCALE CARS