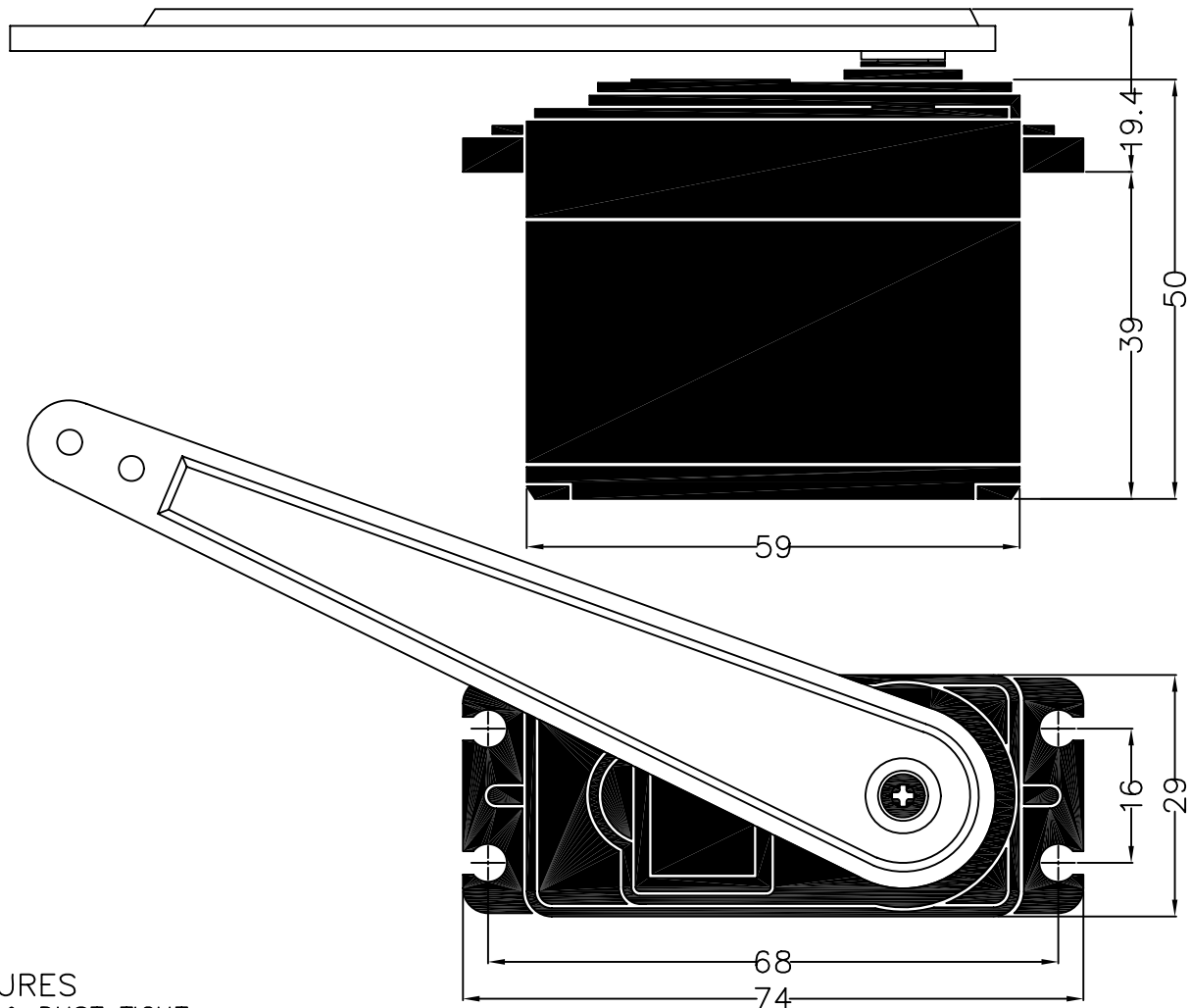


# GENERAL SPECIFICATION OF HS-765HB SAIL CONTROL SERVO

1. TECHNICAL VALUE	
CONTROL SYSTEM	: +PULSE WIDTH CONTROL 1500usec NEUTRAL
OPERATING VOLTAGE RANGE	: 4.8V TO 6.0V
OPERATING TEMPERATURE RANGE	: -20°C TO +60°C (-68°F TO +140°F)
TEST VOLTAGE	: AT 4.8V AT 6.0V
OPERATING SPEED	: 0.28sec/60° AT NO LOAD 0.23sec/60° NO LOAD
STALL TORQUE	: 11kg.cm(152.75oz.in) 13.2kg.cm(183.31oz.in)
STANDING TORQUE	: 8.8kg.cm(122.20oz.in)/5° HOLD OUT 10.5kg.cm(145.81oz.in)/5° HOLD OUT
IDLE CURRENT	: 8mA AT STOPPED 8mA AT STOPPED
RUNNING CURRENT	: 230mA/60° AT NO LOAD RUNNING 250mA/60° AT NO LOAD RUNNING
STALL CURRENT	: 1500mA 1800mA
DEAD BAND WIDTH	: 5usec 5usec
OPERATING TRAVEL DIRECTION	: 50°/ONE SIDE PULSE TRAVELING 400usec : CLOCK WISE/PULSE TRAVELING 1500 TO 1900usec
MOTOR TYPE	: CORED/METAL BRUSH
POTENTIOMETER TYPE	: 6 SLIDER/INDIRECT DRIVE
AMPLIFIER TYPE	: ANALOG AMPLIFIER
DIMENSIONS	: 59x29x50mm(2.32x1.14x1.96in)
WEIGHT	: 104.8g(3.69oz)
BALL BEARING	: DUAL/MR106
GEAR MATERIAL	: HEAVY DUTY RESIN
HORN GEAR SPLINE	: 24 SEGMENTS/ø5.76
SPLINED HORNS	: QUARTER SCALE/Q-I, Q-O, Q-X/LONG ARM 108mm(4.25in)
CONNECTOR WIRE LENGTH	: 300mm(11.81in)
CONNECTOR WIRE STRAND COUNTER	: 60EA
CONNECTOR WIRE GAUGE	: 22AWG



2. FEATURES  
WATER & DUST TIGHT  
DURABLE HEAVY DUTY RESIN GEARS WITH BALL BEARINGS

3. APPLICATIONS  
FOR SAIL BOAT