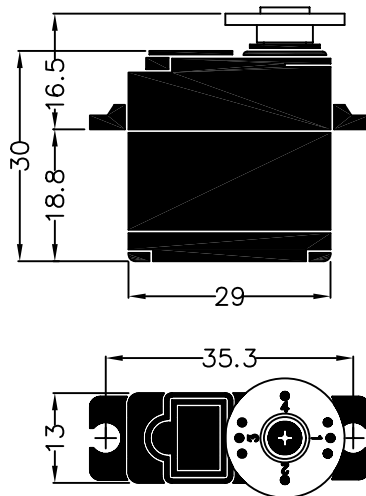


REVISIONS

SYM.	DATE	APPROVED BY	DESCRIPTION
△			

GENERAL SPECIFICATION OF HSG-5084MG DIGITAL MICRO GYRO SERVO

1. TECHNICAL VALUE		
CONTROL SYSTEM	: +PULSE WIDTH CONTROL 1500usec NEUTRAL 1100~1900usec	
OPERATING VOLTAGE RANGE	: 4.8V ONLY	
OPERATING TEMPERATURE RANGE	: -20°C TO +60°C (-4°F TO +140°F)	
TEST VOLTAGE	: AT 4.8V	AT 6.0V
OPERATING SPEED	: 0.07sec/60° AT NO LOAD	0.05sec/60° AT NO LOAD
STALL TORQUE	: 1.5kg.cm(20.83oz.in)	1.9kg.cm(26.39oz.in)
STANDING TORQUE	: 1.4kg.cm(19.44oz.in)/5° HOLDOUT	1.7kg.cm(23.61oz.in)/5° HOLDOUT
IDLE CURRENT	: 20mA @ 5V ON DATA SHEET	20mA AT STOPPED
RUNNING CURRENT	: 180mA @ 4.5V ON DATA SHEET	360mA/60° AT NO LOAD RUNNING
STALL CURRENT	: 1.87A @ 4.5V ON DATA SHEET	2A
DEAD BAND WIDTH	: 1us	2usec
OPERATING TRAVEL	: 35°/ 400us	
DIRECTION	: CLOCK WISE/PULSE TRAVELING 1100 TO 1900usec	
MOTOR TYPE	: CARBON BRUSH	
POTENTIOMETER TYPE	: 2 SLIDER/DIRECT DRIVE	
AMPLIFIER TYPE	: DIGITAL AMPLIFIER & MOSFET DRIVER	
DIMENSIONS	: 29x13x30mm(1.14x0.51x1.18in)	
WEIGHT	: 21.7g(0.76oz)	
BALL BEARING	: SINGLE/MR106	
GEAR MATERIAL	: 1 METAL-PLASTIC & 4 METAL	
HORN GEAR SPLINE	: 24 SEGMENTS/φ5.76	
SPLINED HORNS	: MICRO/M-I, M-O, M-X	
CONNECTOR WIRE LENGTH	: 160mm(6.29in)	
CONNECTOR WIRE STRAND COUNTER	: 20EA	
CONNECTOR WIRE GAUGE	: 28AWG	



2. FEATURES

- HIGH PERFORMANCE DIGITAL AMPLIFIER
- LIGHTWEIGHT METAL GEARS WITH BALL BEARING

3. APPLICATIONS

FOR GYRO

PART NO.	PART NAME	PART SPECIFICATION	MATERIAL	FINISH	TREATMENT	QUANTITY		
TOLERANCES NOT OTHERWISE SPECIFIED		APPROVALS	DATE	DWG. SIZE A4	HITEC RCD KOREA, INC. GENERAL SPECIFICATION			
FRACTIONAL		APPROVED BY		SCALE 1/1				
DECIMAL		CHECKED BY						
ANGLES		DESIGNED BY H,RYU	MAR 21, 2007		UNIT mm	MODEL NO. HSG-5084MG	DWG. NO.	REF. NO.