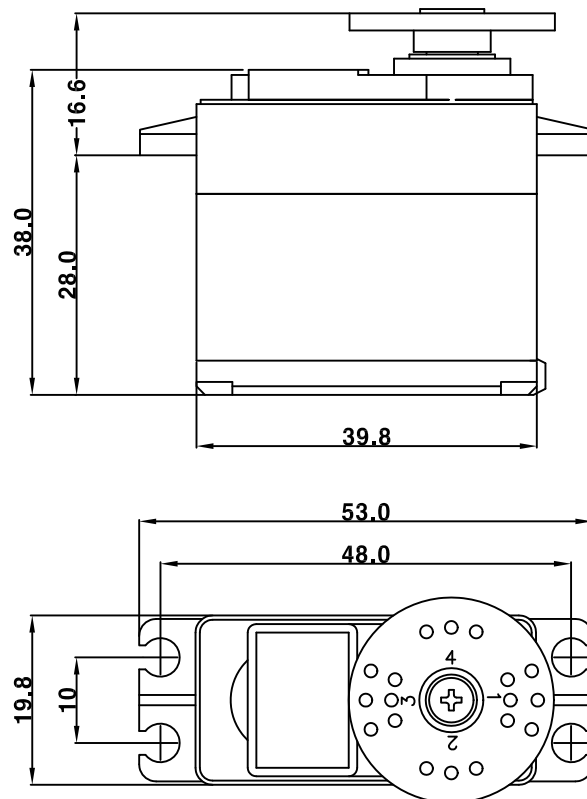


GENERAL SPECIFICATION OF HS-5485HB STANDARD DIGITAL SERVO

1. TECHNICAL VALUES

CONTROL SYSTEM	:+PULSE WIDTH CONTROL 1500usec NEUTRAL	
OPERATING VOLTAGE RANGE	:4.8V TO 6.0V	
OPERATING TEMPERATURE RANGE	:-20°C TO +60°C(-4°F TO +140°F)	
TEST VOLTAGE	:AT 4.8V	AT 6.0V
OPERATING SPEED	:0.20sec/60° AT NO LOAD	0.17sec/60° AT NO LOAD
STALL TORQUE	:5.2kg.cm(72.21oz.in)	6.4kg.cm(88.88oz.in)
IDLE CURRENT	:8mA AT STOPPED	10mA AT STOPPED
RUNNING CURRENT	:150mA/60° AT NO LOAD	170mA/60° AT NO LOAD
STALL CURRENT	:1000mA	1200mA
DEAD BAND WIDTH	:4usec	4usec
OPERATING TRAVEL	:40°/ONE SIDE PULSE TRAVELING 400usec	
DIRECTION	:CLOCK WISE/PULSE TRAVELING 1500 TO 1900usec	
ROTATIONAL LIFE	:10,000cycle MIN/1.3kg.cm LOADED	
GEAR STRENGTH	:7.5kg.cm(104.15oz.in)MIN	
MOTOR TYPE	:CORED METAL BRUSH	
POTENTIOMETER TYPE	:2 SLIDER/DIRECT DRIVE	
AMPLIFIER TYPE	:DIGITAL AMPLIFIER WITH MOSFET DRIVE	
DIMENSIONS	:39.8x19.8x38.0mm(1.57x0.78x1.49in)	
WEIGHT	:45g(1.59oz)	
BALL BEARING	:TOP/MR106	
GEAR MATERIAL	:KARBONITE RESIN	
HORN GEAR SPLINE	:24 SEGMENTS/ø5.76	
SPLINED HORNS	:REGULAR/R-C,R-D,R-I,R-O,R-X	
CONNECTOR WIRE LENGTH	:300mm(11.81in)	
CONNECTOR WIRE STRAND COUNTER	:40EA	
CONNECTOR WIRE GAUGE	:25AWG	



2. FEATURES

- STANDARD SIZED
- PROGRAMMABLE DIGITAL
- HEAVY DUTY KARBONITE GEARS

3. APPLICATIONS

- POPULAR MODELS