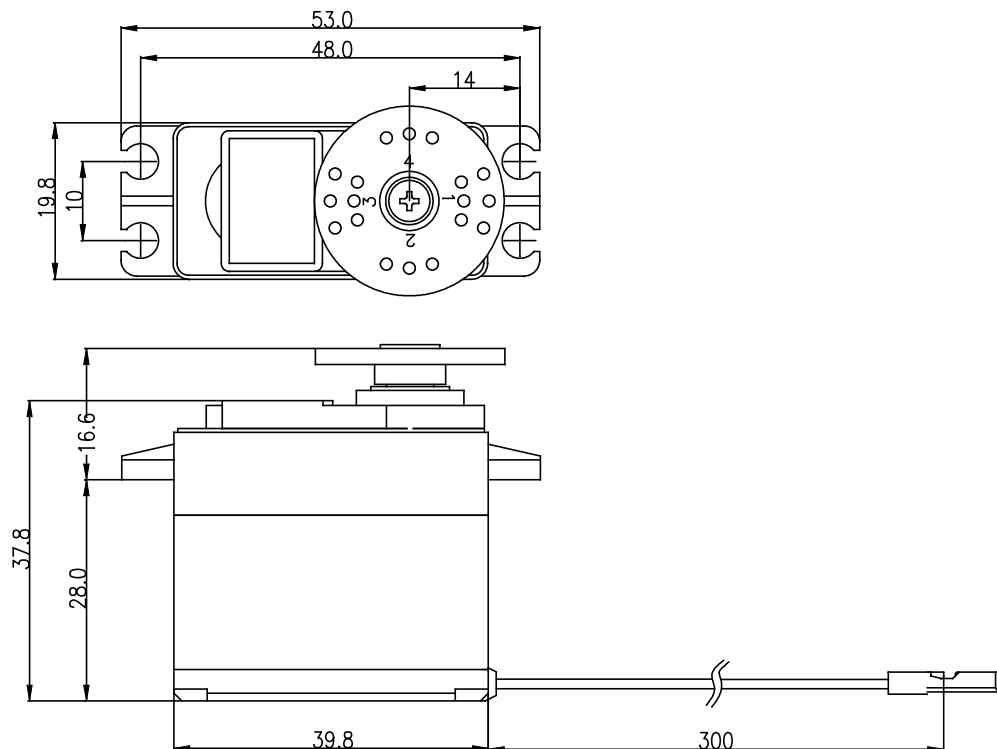


# ANNOUNCE SPECIFICATION OF HS-5496MH HIGH VOLTAGE SERVO

## 1. TECHNICAL VALUES

CONTROL SYSTEM	: +PULSE WIDTH CONTROL 1500usec NEUTRAL	
OPERATING VOLTAGE RANGE	: 6.0V TO 7.4V	
OPERATING TEMPERATURE RANGE	: -20°C TO +60°C (-4°F TO +140°F)	
TEST VOLTAGE	: AT 6.0V	AT 7.4V
OPERATING SPEED	: 0.17sec/60° AT NO LOAD	0.15sec/60° AT NO LOAD
STALL TORQUE	: 6.4kg.cm(88.87oz.in)	7.5kg.cm(104.15oz.in)
IDLE CURRENT	: 10mA AT STOPPED	12mA AT STOPPED
RUNNING CURRENT	: 170mA/60° AT NO LOAD	190mA/60° AT NO LOAD
STALL CURRENT	: 1200mA	1400mA
DEAD BAND WIDTH	: 4usec	4usec
OPERATING TRAVEL	: 40°/ONE SIDE PULSE TRAVELING 400usec	
DIRECTION	: CLOCK WISE/PULSE TRAVELING 1500 TO 1900usec	
ROTATIONAL LIFE	: 10,000cycle MIN/1.3kg.cm LOADED	
GEAR STRENGTH	: 7.5kg.cm(104.15oz.in)MIN	
MOTOR TYPE	: CORED METAL BRUSH	
POTENTIOMETER TYPE	: 2 SLIDER/DIRECT DRIVE	
AMPLIFIER TYPE	: DIGITAL AMPLIFIER WITH MOSFET DRIVE	
DIMENSIONS	: 39.8x19.8x38.0mm(1.57x0.78x1.49in)	
WEIGHT	: 52g(1.84oz)	
BALL BEARING	: DUAL/MR106	
GEAR MATERIAL	: KARBONITE RESIN	
HORN GEAR SPLINE	: 24 SEGMENTS/φ5.76	
SPLINED HORNS	: REGULAR/R-C,R-D,R-I,R-O,R-X	
CONNECTOR WIRE LENGTH	: 300mm(11.81in)	
CONNECTOR WIRE STRAND COUNTER	: 40EA	
CONNECTOR WIRE GAUGE	: 25AWG	



## 2. FEATURES

- STANDARD SIZED HIGH VOLTAGE SERVO
- PROGRAMMABLE DIGITAL
- HEAVY DUTY METAL GEARS

## 3. APPLICATIONS

- POPULAR MODELS