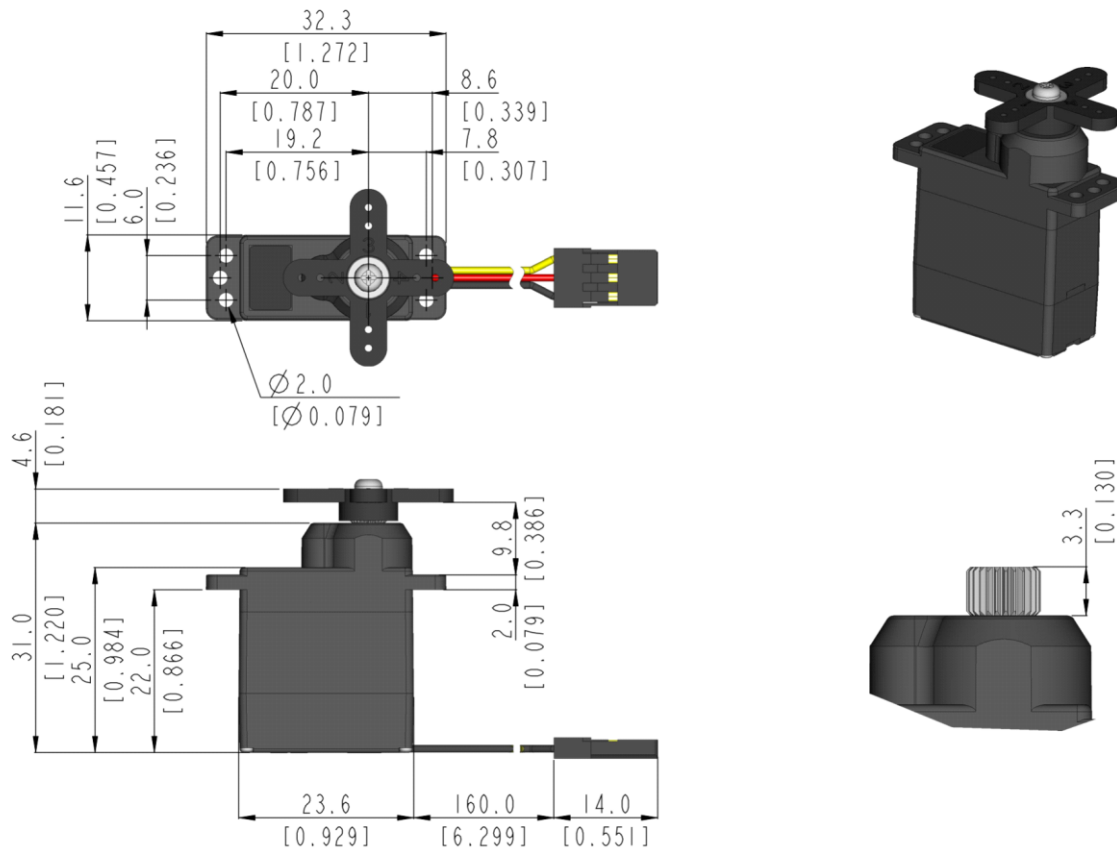


D71MH General Specification.



Control System	PWM/TTL(Half Duplex)		-
Position Sensor Type	Contact Analog Potentiometer		-
Motor Type	Cored Carbon Brush		At the Max voltage, it is recommended to be used only for a short time duration.
Operating Voltage Range	3.5 ~ 8.4V		
Voltage	-	6.0V	7.4V
No Load Speed	-	0.16sec/60°	0.13sec/60°
Stall Torque	-	3.7kgf-cm (51.38oz-in)	4.1kgf-cm (56.94oz-in)
Peak Efficiency Torque	-	0.7kgf-cm (9.72oz-in)	0.8kgf-cm (11.11oz-in)
Standing Current	-	30mA	30mA
No Load Running Current	-	200mA	220mA
Stall Current	-	1,300mA	1,500mA
Deadband	-	2μs	2μs
Operating Travel	Default: ±60°, Programmable: Max 175° / Pulse Width: 900~2100μs(Center:1500μs)		-
Continuous Rotation	n/a		-
Operating Temperature Range	-20°C ~ +60°C (-4°F ~+140°F)		-
Storage Temperature Range	-30°C ~ +80°C (-22°F ~+176°F)		-
Connector Wire Length	160mm (6.299inch)		
Connector Wire Gauge	28AWG		
Dimensions	23.6mm x 11.6mm x 31.0mm (0.929inch x 0.457inch x 1.220inch)		General Tolerance ±0.1mm
Weight	12.5g (0.441oz)		Excluding the weight of Horn
Bearing Type	1 Ball Bearing		-
Case Material	Engineering Plastic		-
Gear Material	1 Resin & 4 Metal Gears		-
Gear Train Backlash	Max 0.5°		-
Horn Gear Spline	M25T(Ø5)		-
IP-Rating	IP4X		-
Servo Amplifier Type	32bit Programmable Digital		-



1:1 scale (Unit : mm[inch])

- This product should not be used directly on the human body for medical purposes.
- All specifications are subject to change without notice.



9001:2015
14001:2015
CERTIFIED



HitecCS.com