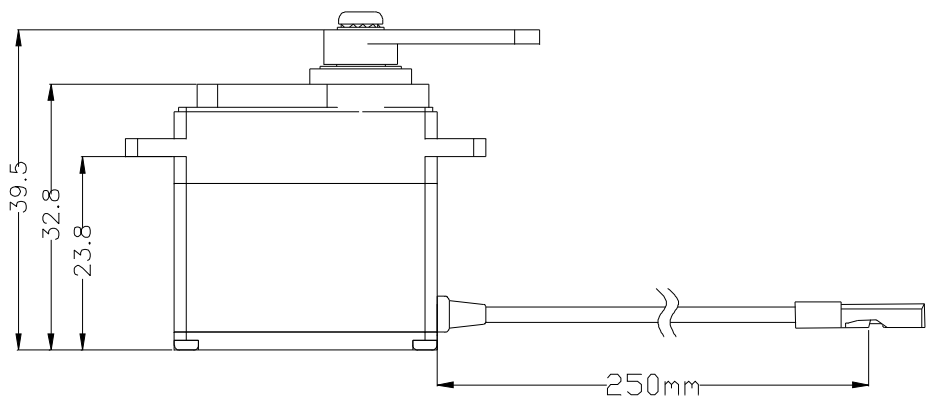
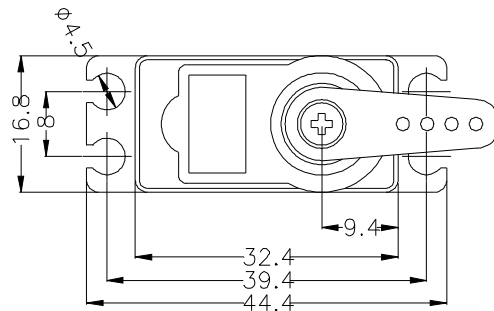


GENERAL SPECIFICATION OF HS-7235MH CORELESS DIGITAL MINI SERVO

1. TECHNICAL VALUE

CONTROL SYSTEM	: +PULSE WIDTH CONTROL 1500usec NEUTRAL	
OPERATING VOLTAGE RANGE	: 6.0V TO 7.4V	
OPERATING TEMPERATURE RANGE	: -20°C TO +60°C (-4°F TO +140°F)	
TEST VOLTAGE	: AT 6.0V	AT 7.4V
OPERATING SPEED	: 0.09sec/60° NO LOAD	0.08sec/60° NO LOAD
STALL TORQUE	: 3.6kg.cm(49.99oz)	4.4kg.cm(61.10oz)
STANDING TORQUE	: -	
IDLE CURRENT	: 10mA AT STOPPED	12mA AT STOPPED
RUNNING CURRENT	: 150mA/NO LOAD RUNNING	190mA/NO LOAD RUNNING
STALL CURRENT	: 1,300mA	1,600mA
DEAD BAND WIDTH	: 2usec	2usec
OPERATING TRAVEL	: 40±5°/ONE SIDE PULSE TRAVELING 400usec	
DIRECTION	: CLOCK WISE/PULSE TRAVELING 1500 TO 1900usec	
MOTOR TYPE	: CORELESS METAL BRUSH	
POTENTIOMETER TYPE	: 4 SLIDER/1M CYCLE LONG LIFE/INDIRECT DRIVE	
AMPLIFIER TYPE	: ATMEGA48(G2.5) MCU DIGITAL AMPLIFIER WITH MOSFET DRIVE	
DIMENSIONS	: 32.4x16.8x32.8mm(1.28x0.66x1.29in)	
WEIGHT	: 34g(1.2oz)	
BALL BEARING	: DUAL/MR106	
GEAR MATERIAL	: 1 METAL-PLASTIC & 3 METAL GEARS	
HORN GEAR SPLINE	: 24 SEGMENTS/φ5.76	
SPLINED HORNS	: REGULAR/R-ML, R-C, R-D, R-I, R-O, R-X	
CONNECTOR WIRE LENGTH	: 300mm(11.81in)	
CONNECTOR WIRE STRAND COUNTER	: 60EA	
CONNECTOR WIRE GAUGE	: 22AWG	



2. FEATURES

- PROGRAMMABLE DIGITAL AMPLIFIER WITH MOSFET DRIVE
- 1 METAL-PLASTIC & 3 PRECISION ALL METAL GEARS WITH DUAL BALL BEARING
- HIGH RESPONSE CORELESS MOTOR

3. APPLICATIONS

- SMALL AIR PLANE & HELICOPTER MODELS