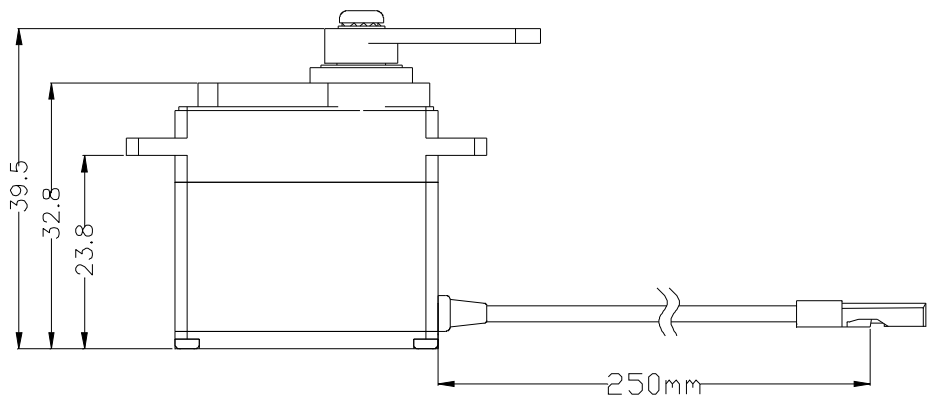
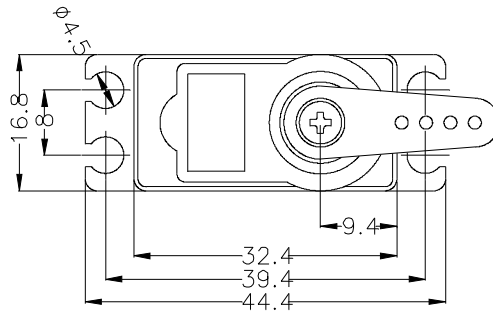


# GENERAL SPECIFICATION OF HS-7245MH CORELESS DIGITAL MINI SERVO

## 1. TECHNICAL VALUE

CONTROL SYSTEM	:+PULSE WIDTH CONTROL 1500usec NEUTRAL	
OPERATING VOLTAGE RANGE	:6.0V TO 7.4V	
OPERATING TEMPERATURE RANGE	:-20°C TO +60°C(-4°F TO +140°F)	
TEST VOLTAGE	:AT 6.0V	AT 7.4V
OPERATING SPEED	:0.13sec/60° NO LOAD	0.11sec/60° NO LOAD
STALL TORQUE	:5.2kg.cm(72.21oz)	6.4kg.cm(88.88oz)
STANDING TORQUE	:-	
IDLE CURRENT	:10mA AT STOPPED	12mA AT STOPPED
RUNNING CURRENT	:150mA/NO LOAD RUNNING	190mA/NO LOAD RUNNING
STALL CURRENT	:1,300mA	1,600mA
DEAD BAND WIDTH	:2usec	2usec
OPERATING TRAVEL	:40±5°/ONE SIDE PULSE TRAVELING 400usec	
DIRECTION	:CLOCK WISE/PULSE TRAVELING 1500 TO 1900usec	
MOTOR TYPE	:CORELESS METAL BRUSH	
POTENTIOMETER TYPE	:4 SLIDER/1M CYCLE LONG LIFE/INDIRECT DRIVE	
AMPLIFIER TYPE	:ATMEGA48(G2.5) MCU DIGITAL AMPLIFIER WITH MOSFET DRIVE	
DIMENSIONS	:32.4x16.8x32.8mm(1.28x0.66x1.29in)	
WEIGHT	:34g(1.2oz)	
BALL BEARING	:DUAL/MR106	
GEAR MATERIAL	:1 METAL-PLASTIC & 3 METAL GEARS	
HORN GEAR SPLINE	:24 SEGMENTS/∅5.76	
SPLINED HORNS	:REGULAR/R-ML, R-C, R-D, R-I, R-O, R-X	
CONNECTOR WIRE LENGTH	:240mm(11.81in)	
CONNECTOR WIRE STRAND COUNTER	:60EA	
CONNECTOR WIRE GAUGE	:22AWG	



## 2. FEATURES

- PROGRAMMABLE DIGITAL AMPLIFIER WITH MOSFET DRIVE
- 1 METAL-PLASTIC & 3 PRECISION ALL METAL GEARS WITH DUAL BALL BEARING
- HIGH RESPONSE CORELESS MOTOR

## 3. APPLICATIONS

- SMALL AIR PLANE & HELICOPTER MODELS