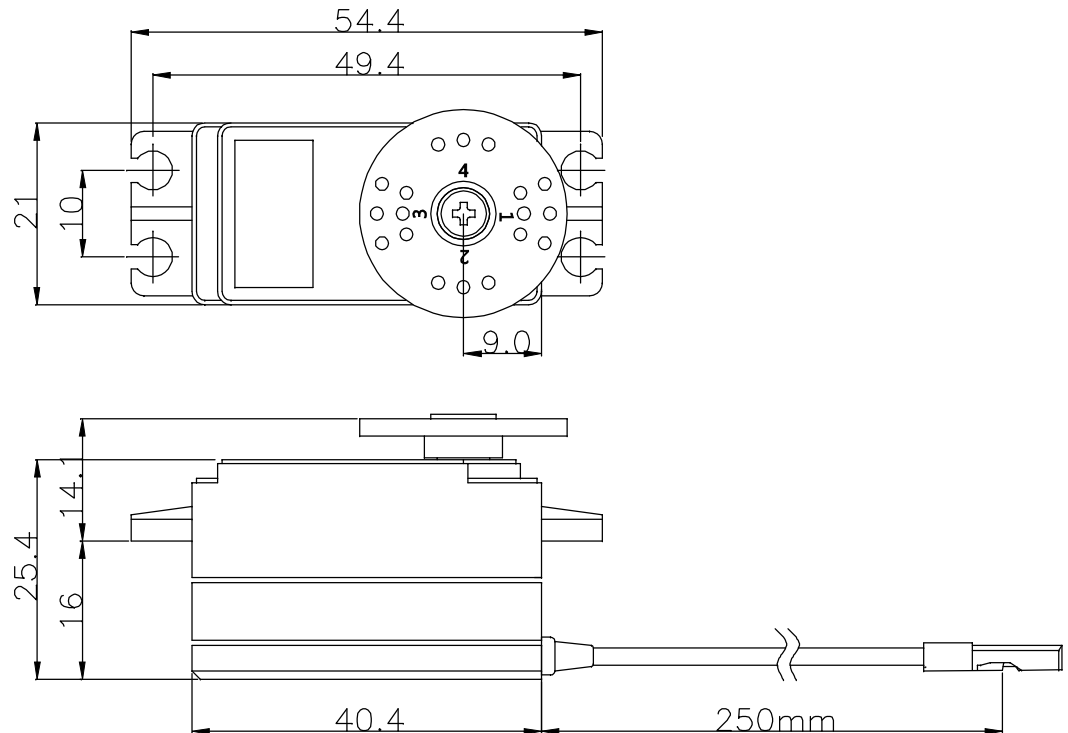


GENERAL SPECIFICATION OF HS-7775MG LOW PROFILED CORELESS DIGITAL SERVO

1. TECHNICAL VALUE

CONTROL SYSTEM	:+PULSE WIDTH CONTROL 1500usec NEUTRAL	
OPERATING VOLTAGE RANGE	:4.8V TO 6.0V	
OPERATING TEMPERATURE RANGE	:-20°C TO +60°C(-4°F TO +140°F)	
TEST VOLTAGE	:AT 4.8V	AT 6.0V
OPERATING SPEED	:0.12sec/60° AT NO LOAD	0.10sec/60° AT NO LOAD
STALL TORQUE	:7.2kg.cm(oz.in)	9.0kg.cm(oz.in)
IDLE CURRENT	:8mA AT STOPPED	8mA AT STOPPED
RUNNING CURRENT	:200mA/60° AT NO LOAD RUNNING	240mA/60° AT NO LOAD RUNNING
STALL CURRENT	:1800mA	2300mA
DEAD BAND WIDTH	:2usec	2usec
OPERATING TRAVEL	:40°/ONE SIDE PULSE TRAVELING 400usec	
DIRECTION	:CLOCK WISE/PULSE TRAVELING 1500 TO 1900usec	
MOTOR TYPE	:CORELESS METAL BRUSH	
POTENTIOMETER TYPE	:6 SLIDER/INDIRECT DRIVE	
AMPLIFIER TYPE	:DIGITAL AMPLIFIER WITH MOSFET DRIVE	
DIMENSIONS	:40.4x21x25.4mm(1.59x0.82x1.0in)	
WEIGHT	:49g(1.72oz)	
BALL BEARING	:DUAL/MR106/MR128	
GEAR MATERIAL	:1 KARBONITE & 4 METAL	
HORN GEAR SPLINE	:24 SEGMENTS/Ø5.76	
SPLINED HORNS	:REGULAR/R-C.R-D,R-I,R-O,R-X	
CONNECTOR WIRE LENGTH	:250mm(9.84in)	
CONNECTOR WIRE STRAND COUNTER	:60EA	
CONNECTOR WIRE GAUGE	:22AWG	



2. FEATURES

- PROGRAMMABLE DIGITAL AMPLIFIER WITH MOSFET DRIVE
- LOW PROFILED CORELESS MOTOR
- DURABLE METAL GEARS WITH DUAL BALL BEARING
- WATER & DUST TIGHT

3. APPLICATIONS

- EP CARS